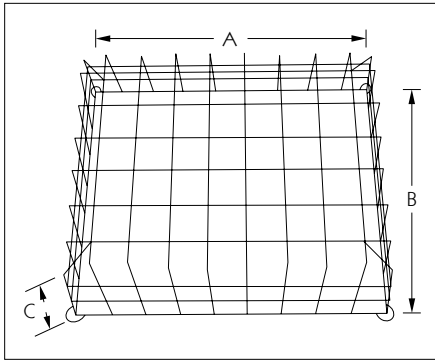


WIRE GUARDS FOR EMERGENCY LIGHTS EXIT SIGNS

WIREGUARDS

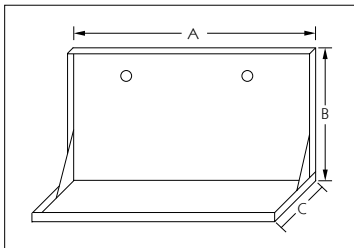
Our optional wireguards provide enhanced protection for emergency lighting equipment from physical damage. All are made from 18 gauge cold rolled steel and finished with a durable white (standard) baked powder coat finish for corrosion resistance. Color options are available upon request. Ideal for use in gymnasiums, outdoor installations, loading docks, warehouses, schools and apartment complexes.

ORDERING INFORMATION



Model #	Application	Dimensions		
		A	B	C
BPG-1	combination exit & battery unit	17"	17"	17"
BGP-2	wall mount exit	14"	10"	4.5"
BPG-3	ceiling mount exits	14.5"	6"	10.5"
BPG-4	SRP1 and SPR2 remotes	6"	8"	6"
BPG-5	small cabinet battery units	15"	14"	6"
BPG-6	medium cabinet battery units	20"	17"	9"
BPG-7	large cabinet battery units	28.5"	24.75"	10"
BPG-8	SRP1 and LRP1 remotes	8"	6"	8"
BPG-9	SPR2 and LRP2 remotes	12"	9"	9"
BPG-10	ceiling mounted combination exit battery unit	13.5"	12"	16.5"
BPG-11	special wording custom size signs	29"	8"	10"
BPG-12	illumina 4' vapor light	52"	9.25"	4.5"

MOUNTING SHELVES



Model #	Application	Dimensions			
		A	B	C	
BMS-1	very small units	12W - 36 W	12"	10.5"	3.5"
BMS-2	small units:	54W - 72W	17"	10.5"	4.5"
BMS-4	medium units:	100W-200W	15"	13"	8.5"
BMS-5	large units:	300W-400W	19.5"	13"	8.5"