



Popular Exit Signs and Combos

2011 Catalog

Sales Department

(T) 800-480-0707

sales@emergencylights.net

www.emergencylights.net





PRODUCT OVERVIEW

The **TEX** series thermoplastic exit sign features an attractive low profile design. Ideal for commercial & institutional installations, the slim profile of this sign blends perfectly with current interior decors. The **TEX** series uses high-output red or green LED technology. This truly “universal” exit sign, comes standard with two (2) stencils, one (1) backplate and a canopy. AC only and Self-Powered versions are available. The **TEX** series meets Energy Star requirements.

INTERNAL SPECIFICATIONS

AC ONLY: standard 120/277VAC input

SELF-POWERED: standard 120/277VAC input, self-powered versions use sealed nickel-cadmium batteries to provide a minimum 90 minutes of emergency duration. Electronic cut-off circuit prevents overdischarge.

EXTERNAL SPECIFICATIONS

The **TEX** series is constructed from durable corrosion and flame resistant thermoplastic. The **TEX** series comes standard with a mounting canopy, two (2) stencils, one (1) backplate, removable chevrons and all mounting hardware. The **TEX** series comes standard finished in white; optional black finish is available. A damp location rating is standard on all **TEX** series products. An external LED status indicator and test switch is standard on all self-powered models.

INSTALLATION

The **TEX** series exit is suitable for surface ceiling, wall and end mounting. Suitable for indoor and damp location installations.

ORDERING INFORMATION

Series	LED Color	Model	Options
TEX	R (red)	HT (AC only)	B (black housing)
	G (green)	SA (self powered)	

Series	LED Color	Model	Options

MODERN DESIGN

The low profile design of the **TEX** series exit provides a clean, attractive and affordable solution. The durable thermoplastic housing is corrosion and flame resistant. The **TEX** series stencils include removeable chevrons that allow for easy "in the field" installation decisions. The modern and efficient design of the **TEX** series allows for wall, ceiling or end mounting. Canopy and all installation hardware are included.

BATTERY TECHNOLOGY

The **TEX** series is designed with a maintenance free, sealed Nickel-Cadmium battery providing a minimum emergency duration of 90 minutes. Recharge time of the battery is twenty-four (24) hours. The maximum battery working temperature is 50° C.

ELECTRICAL SPECIFICATIONS

The **TEX** series is configured with high-output LED lamps. LED version is standard with 120/277VAC input.

-  RED LED - 4 Watts
-  GREEN LED - 2 Watts



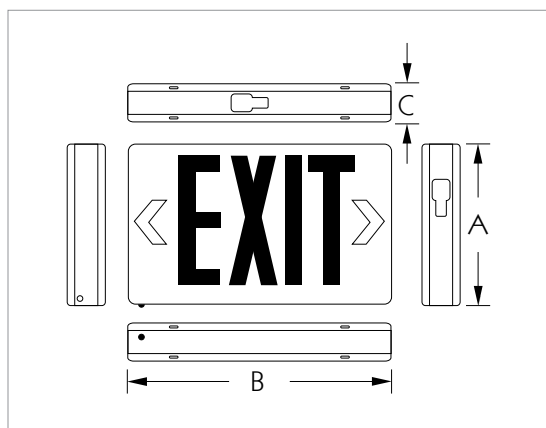
MECHANICAL SPECIFICATIONS

The **TEX** series is constructed of durable corrosion and flame resistant thermoplastic. Field removeable directional chevron arrows are standard. The **TEX** series can be universally mounted single or double face. Canopy and mounting hardware are included. High-output LED technology provides energy savings, long life and even illumination levels. 120/277VAC input, maintenance free, sealed Nickel Cadmium batteries are protected by an electronic cut-off circuit that prevents overdischarge. External test switch and monitor LED are standard on SA versions.

SELF-POWERED VERSIONS

The **TEX-SA** self-powered series is designed to operate on battery power in the event of a regular / mains power failure. Both the battery and charger are completely contained within the standard enclosure. There are no external components and no alterations made to the external dimensions of the standard sign. The **TEX-SA** self-powered series utilize a solid state transformer technology that eliminates the possibility of relay failure due to particle build up on the relay. Status is easily determined via an LED that indicates AC-ON. A push button test switch allows maintenance personnel to quickly confirm the operational status of the exit on AC fail.

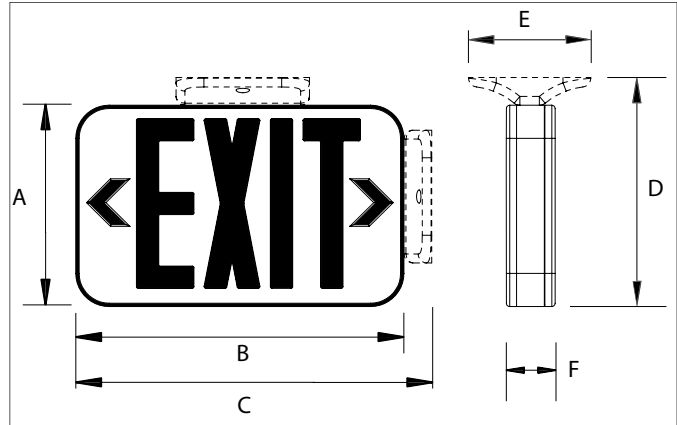
DIMENSIONS (in.)



Series	A"	B"	C"
TEX	7.5"	12"	1.5"

WARRANTY

The **TEX** series comes with a 5-year factory warranty. Deliberate damage, misuse, improper installation effectively cancel the warranty.



A	B	C	D	E	F
7.2"	11.6"	12.6"	8.2"	4.33"	2"
183mm	295mm	320mm	209mm	110mm	51mm

ORDERING INFORMATION

Series	LED Color	Model	Options
LP	R (red) G (green)	HT (AC Only) SA (self powered)	B (black)

EXAMPLE: PX-R-SA-B
DESCRIPTION: PACO exit sign , self powered, Red LED , black housing, damp location.

PRODUCT OVERVIEW

The **LOWPRO** series thermoplastic exit features performance and reliability in a compact, attractive and low profile package. Configured with red or green LED's, the **LOWPRO** provides a bright and even EXIT. The thermoplastic housing comes in white as standard; optional black is available. The quick connect installation system allows for effortless surface mount installation. The **LOWPRO** is a universal exit available with or without battery back-up. Standard with mounting canopy and extra stencil face plate.

INSTALLATION

The **LOWPRO** exit is designed for surface wall or ceiling installations. Suitable for indoor / damp location environments.

EXTERNAL SPECIFICATIONS

The **LOWPRO** series is constructed from high impact, injection molded thermoplastic. White finish is standard. Field adjustable chevrons are standard. The **LOWPRO** series can be universally

mounted single or double face (extra faceplate included). The SA version includes an integrated test switch /monitor LED, which gives immediate unit status.

INTERNAL SPECIFICATIONS

AC ONLY: Standard 120/277VAC input.

SELF-POWERED: Standard 120/277VAC input. The **LOWPRO** self-powered version uses a rechargeable, maintenance free 3.6V 900mAH nickel cadmium battery. The circuit board features an onboard solid state transformer, low voltage disconnect and brownout protection.

WARRANTY

The **LOWPRO** series comes with a 3-year factory warranty. Deliberate damage, misuse, improper installation effectively void the warranty. For complete warranty details see online.



SALES DEPARTMENT
(T) 800-480-0707
sales@emergencylights.net
www.emergencylights.net

MODERN DESIGN

LOWPRO series exit provides performance and reliability in a small and modern design. The low profile, rounded corners and an overall reduced size, make the LOWPRO one of the smaller, code compliant exit signs available.

BATTERY TECHNOLOGY

The LOWPRO series is design with a 3.6V 900mAH maintenance-free sealed nickel cadmium battery that provides minimum emergency duration of 90 minutes. The recharge time of the battery is 24 hours.

ELECTRICAL SPECIFICATIONS

The LOWPRO series has a universal 120/277VAC solid state transformer. Low voltage disconnect and brownout protection are standard. Red or green LEDs totaling <2W.



MECHANICAL SPECIFICATIONS

The LOWPRO series is constructed from high impact, injection molded thermoplastic. The housing features field adjustable chevrons and a universal mounting pattern for single or double face configurations. The SA version includes an integrated test switch / monitor LED gives immediate unit status.

SELF-POWERED SERIES

The LOWPRO self-powered series is designed to operate on battery power in the event of regular / mains power failure. Both the battery and charger are completely contained within the standard sign. There are no external components and no alteration made to the external dimensions of the standard sign. Status is easily determined via an LED that indicates AC-ON. A push button test switch allows maintenance personnel to quickly confirm the operational status of the exit at any time.

WARRANTY

The LOWPRO series comes with a 3-year factory warranty. Deliberate damage, misuse, improper installation effectively void the warranty. For complete warranty details see online.

EMERGENCY LIGHT EXIT SIGN COMBO



PRODUCT OVERVIEW

The CEX series combination exit & emergency unit features an attractive, contemporary thermoplastic housing design. Ideal for commercial and institutional installations, the CEX series combination unit blends perfectly with current interior decors. The CEX series uses high-output red or green LED technology. Universal mounting on the wall or ceiling allows installation versatility. Emergency lighting heads can be swiveled 360° providing effective and accurate emergency illumination.

INTERNAL SPECIFICATIONS

SELF-POWERED: standard 120/277VAC input, self-powered versions use a maintenance-free sealed lead acid battery that provides a minimum 90 minutes of emergency duration. Solid state charger and transfer.

EXTERNAL SPECIFICATIONS

The CEX series is constructed from durable corrosion and flame resistant thermoplastic. The CEX series comes standard with a mounting canopy, two (2) stencils, one (1) backplate, removeable chevrons and all mounting hardware. Side mounted emergency lighting heads rotate 360° providing a new level of adjustability. The CEX series comes standard finished in white; optional black finish is available. Removeable chevron arrows are standard on each fixture. External LED status indicator and test switch are standard.

INSTALLATION

The CEX series combination unit is suitable for surface ceiling, and wall mounting. Suitable for indoor and damp location installations



ORDERING INFORMATION

Series	LED	Face/Mounting	Housing	Options
CEX	R (red)	U (universal)	W (White)	R (remote capable)
	G (green)		B (black)	NH (no heads)
				NHR (no heads, remote)

Series	LED	Face/Mounting	Housing	Options

MODERN DESIGN

The CEX series combination exit & emergency unit provides an attractive, versatile, space saving and affordable solution. The durable thermoplastic housing is corrosion and flame resistant. The CEX series stencils include removeable chevrons that allow for easy “in the field” installation decisions. The modern and efficient design of the CEX series allows for surface ceiling, and wall mounting. Canopy and all installation hardware is included.

ELECTRICAL SPECIFICATIONS

The CEX series is configured with high-output LED lamps. LED version is standard with 120/277VAC input. Emergency lighting heads come standard configured with 5.4 watt incandescent wedge base lamps.

-  RED LED - 4 Watts
-  GREEN LED - 2 Watts

BATTERY TECHNOLOGY

The CEX series is designed with a 6V 4.5Ah maintenance free, sealed lead acid battery that provides a minimum emergency duration of 90 minutes. Recharge time of the battery is twenty-four (24) hours. The maximum battery working temperature is 50° C. When the CEX is ordered with the “remote capable” option, a larger 6V 7Ah battery is used.

MECHANICAL SPECIFICATIONS

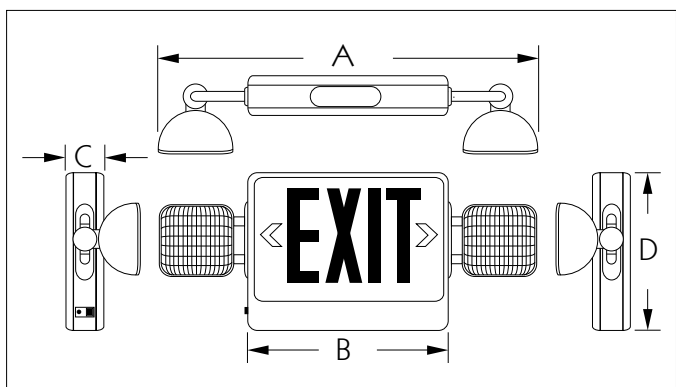
The CEX series is constructed of durable corrosion and flame resistant thermoplastic. Field removeable directional chevron arrows are standard. The CEX series can be universally mounted single or double face. Canopy and mounting hardware are included. High-output LED technology provides energy savings, long life and even illumination levels. Side mounted emergency heads rotate 360°, providing accurate emergency illumination. 120/277VAC input, maintenance free sealed lead acid battery is protected by an electronic cut-off circuit that prevents overdischarge. External test switch and monitor LED are standard.

SELF-POWERED VERSIONS

The CEX self-powered series is designed to operate on battery power in the event of a regular / mains power failure. Both the battery and charger are completely contained within the standard enclosure. There are no external components and no alterations made to the external dimensions of the standard sign. The CEX self-powered series utilize a solid state transformer technology that eliminates the possibility of relay failure due to particle build up on the relay. Status is easily determined via an LED that indicates AC-ON. A push button test switch allows maintenance personnel to quickly confirm the operational status of the exit on AC fail.



DIMENSIONS (in.)

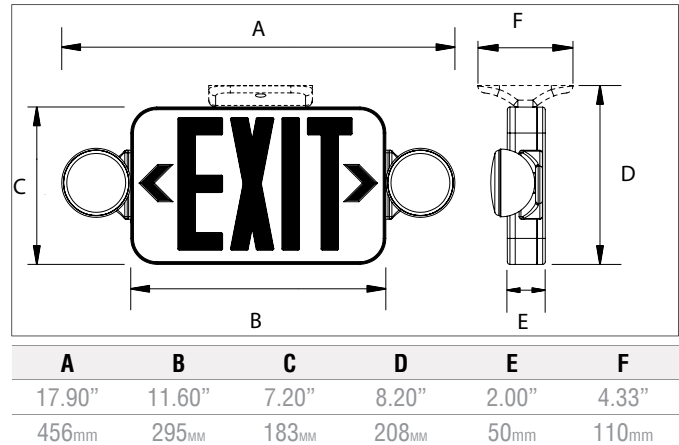


Series	A"	B"	C"	D"
CEX	22"	13"	2.8"	10"

WARRANTY

The CEX Series comes with a 5-year factory warranty. Lamps are not covered under the warranty. Deliberate damage, misuse, improper installation effectively cancel the warranty.

LED EXIT COMBO with LED LIGHTS



ORDERING INFORMATION

Series	LED Color	Option
LEDCEX	R (Red)	B (Black)
	G (Green)	

PRODUCT OVERVIEW

The LEDCEX series combination exit and emergency unit features performance and reliability in a small and attractive package. Two 0.5W LED fully adjustable lamp heads ensure emergency lighting performance, accurate positioning and reduced maintenance. Available with red or green LED's, the exit face features a reduced housing size and soft, rounded edges. The thermoplastic housing comes in white as standard; optional black is available. The quick connect installation system allows for effortless surface mount installation.

INSTALLATION

The LEDCEX combination is designed for surface wall or ceiling installations. Suitable for indoor / damp location environments.

EXTERNAL SPECIFICATIONS

The LEDCEX series is constructed from high impact, injection molded thermoplastic. White finish is standard. Each emergency head houses a single 8 LED cluster that totals 0.5W. The exit sign features field adjustable chevrons. The LEDCEX series can be universally mounted single or double face (extra faceplate included). Integrated test switch/monitor LED gives immediate unit status.

INTERNAL SPECIFICATIONS

The LEDCEX uses a rechargeable, maintenance free 3.6V 900mAh nickel cadmium battery. Universal 120/277VAC input. The circuit board features an onboard solid state transformer, low voltage disconnect and brownout protection.

WARRANTY

The LEDCEX series comes with a 3-year factory warranty. Deliberate damage, misuse, improper installation effectively void the warranty. For complete warranty details see online.



SALES DEPARTMENT
(T) 800-480-0707
sales@emergencylights.net
www.emergencylights.net

MODERN DESIGN

The **LEDCEX** series has been designed to mimic the size of a standard Exit sign. Low profile, rounded corners and an overall reduced size, make the **LEDCEX** one of the most compact combination units available.

BATTERY TECHNOLOGY

The **LEDCEX** series uses a 3.6V 900mAH maintenance-free sealed nickel cadmium battery that provides a minimum emergency duration of 90 minutes. Recharge time of the battery is 24 hours.

ELECTRICAL SPECIFICATIONS

The **LEDCEX** series has a universal 120/277VAC solid state transformer. Low voltage disconnect and brownout protection are standard. Lamp heads feature 0.5W high efficiency LEDs. Exit face illuminated by either red or green LEDs totaling less than 2W.

MECHANICAL SPECIFICATIONS

The **LEDCEX** series is constructed from high impact, injection molded thermoplastic. The housing features field adjustable chevrons and a universal mounting pattern for single or double face configurations. Fully adjustable lamp heads ensure accurate positioning. External test Switch and monitor LED provide immediate unit status.

WARRANTY

The **LEDCEX** series comes with a 3-year factory warranty. Deliberate damage, misuse, improper installation effectively void the warranty. For complete warranty details see online.



HALOGEN COMBO EXIT SIGN & LIGHTS



PRODUCT OVERVIEW

The HCEX series combination exit & emergency unit is the newest evolution in affordable thermoplastic emergency luminaires. The HCEX series offers a new level of design and technology. The injection molded thermoplastic housing is corrosion and flame resistant and features an innovative snap together design allowing fast and easy installation. The HCEX features high-output LED's that evenly illuminate the exit. The top mounted emergency unit incorporates 5W halogen MR-16 lamps that are fully adjustable. The HCEX comes standard finished in white.

INTERNAL SPECIFICATIONS

SELF-POWERED: standard 120/277VAC input, self-powered versions use a maintenance-free 6V 4.5Ah sealed lead acid battery that provides a minimum 90 minutes of emergency duration. Solid state charger and transfer.

EXTERNAL SPECIFICATIONS

The HCEX series is constructed from high quality corrosion and flame resistant thermoplastic. White finish is standard. The BBY combination series features a low profile exit and a top mounted emergency light. The exit sign has field adjustable chevrons and snap together face panels. The top mounted emergency unit features semi-recessed MR-16 lighting heads that are positioned in 360 gimbal style assemblies. Universal mounting bracket for wall or ceiling installations. External test switch and monitor LED are standard.

INSTALLATION

The HCEX series combination unit is suitable for surface ceiling, wall and end mounting. Suitable for indoor and damp location installations.

ORDERING INFORMATION

Series	LED	Face/Mounting	Housing
HCEX	LR (red)	U (universal)	W (White)
	LG (green)		

Series	LED	Face/Mounting	Housing

HOUSING

The **HCEX** series utilizes a corrosion and flame resistant injection molded thermoplastic housing and mounting bracket. The innovative snap together design allows fast and effortless installation. The **HCEX** series is ideal for use in areas where materials such as steel and aluminum may deteriorate. The universal mounting pattern allows wall, ceiling or end installations.

ELECTRICAL SPECIFICATIONS

The **HCEX** series combination luminaires are configured for standard operation 120/277VAC dual voltage input with current limit protection. Minimum 90 minutes emergency duration. Twenty-four (24) hour recharge time.

BATTERY TECHNOLOGY

The **HCEX** series is supplied with a sealed, maintenance-free, valve regulated 6V 4.5Ah lead calcium battery that provides a minimum emergency duration of 90 minutes. Recharge time of the battery is twenty-four (24) hours. The maximum working temperature is 50° C

MECHANICAL SPECIFICATIONS

The **HCEX** series is constructed of durable corrosion and flame resistant thermoplastic. Field removeable directional chevron arrows are standard. The **HCEX** series can be universally mounted single or double face. Canopy and mounting hardware are included. High-output LED technology provides energy savings, long life and even illumination levels. Top mounted emergency heads, provide accurate emergency illumination. 120/277VAC input, maintenance free sealed lead calcium battery is protected by an electronic cut-off circuit that prevents overdischarge. External test switch and monitor LED are standard

LAMP HEAD FEATURES

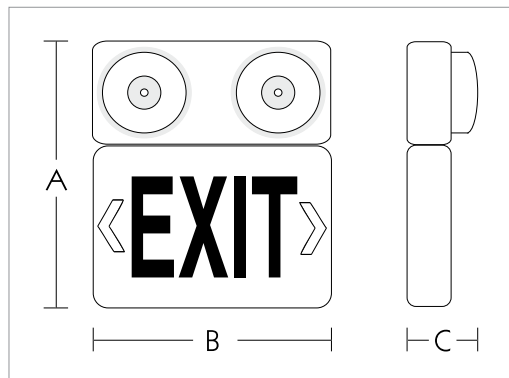
The **HCEX** series is supplied with two (2) semi-recessed, front mounted 5W MR-16 lamps. Lamp heads are mounted within a gimbal style assembly, which allows correct and accurate beam positioning.

MR-16 TECHNOLOGY

The **HCEX** series luminaire benefits from the use of MR-16 lamp technology. Offering superior light output, compact design, high efficiency and architectural appeal, the MR-16 lamps are an intelligent light choice. The **HCEX** series comes standard with 2x5W halogen MR-16 lamps.



DIMENSIONS (in.)



Series	A"	B"	C"	D"
HCEX	14.2"	12.2"	4.2"	5.5"

WARRANTY

The **HCEX** Series comes with a 5-year factory warranty. Lamps are not covered under the warranty. Deliberate damage, misuse, improper installation effectively cancel the warranty.

CAST ALUMINUM LED EXIT SIGN



PRODUCT OVERVIEW

The CAE series is designed to provide a durable, attractive and maintenance-free exit sign. The CAE is manufactured from sturdy die-cast aluminum and comes standard with a brushed aluminum convex face and black housing. A universal mounting canopy is also included for ceiling and end mount applications. The CAE series comes standard configured with high-output LED technology, available in red or green. AC only and Self-powered versions are available. The CAE is damp location rated.

INTERNAL SPECIFICATIONS

AC ONLY: comes standard configured with high-output LED technology, 120/277VAC input.

SELF-POWERED: comes standard configured with high-output LED technology, 120/277VAC input. Nickel-Cadmium batteries provide a minimum 90 minutes of emergency duration. Solid state charger & transfer.

EXTERNAL SPECIFICATIONS

The CAE series is constructed from durable die-cast aluminum and comes standard with a brushed aluminum face plate(s) and a black housing. Single, double and universal face versions must be specified. Available in custom epoxy-based powder coat finishes (please specify). Universal mounting knockouts are standard for ease of installation. Removable chevrons are standard on each face for field adjustability.

INSTALLATION

The CAE series is suitable for ceiling, wall and end mounting. Suitable for damp location area installations.

ORDERING INFORMATION

Series	Model	LED	Face No.	Housing	Options
CAE	HT (AC only)	LR (red)	1 (single)	W (white)	AT (auto-test)
	SA (self-powered)	LG (green)	2 (double)	B (black)	2CK (dual circuit)
			U (universal)	AL (aluminum)	

Series	Model	LED	Face No.	Housing	Options



SALES DEPARTMENT
 (T) 800-480-0707
 sales@emergencylights.net
 www.emergencylights.net

ELECTRICAL SPECIFICATIONS

The CAE series is configured with high-output LED lamps. Standard with 120/277VAC input. All LED versions consume only 1.1W nominal power. Optional emergency illumination is provided by the LED light source at the following wattages

- 6VDC - 0.5 Watts
- 12VDC - 1.5 Watts
- 24VDC - 3.5 Watts

MECHANICAL SPECIFICATIONS

The CAE series is constructed from durable die-cast aluminum. Universal mounting pattern and key hole slots are stamped on the back. A surface mount conduit entry knockout is also provided. Field removable directional chevron arrows are standard. The CAE is supplied standard with a brushed aluminum face(s) and a black baked powder coat held securely in place with no visible screws, nuts or fasteners for a clean look.

DIE-CAST DESIGN

The excellent visual performance and architecturally pleasing design makes the CAE series the premier choice for applications requiring the durability and the craftsmanship of die-cast aluminum exit signs. The standard brushed aluminum face blends well with any setting and provides a clean, contemporary look. The die-cast aluminum construction provides the CAE series with exceptional rigidity and strength.

SELF-POWERED VERSION

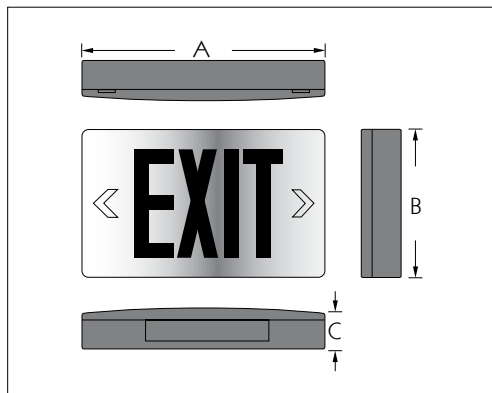
The CAE-SA series is designed to operate on battery power in the event of a regular/mains power failure. Both the battery and charger are completely contained within the standard enclosure. There are no external components and no alterations made to the external dimensions of the standard sign

BATTERY TECHNOLOGY

The CAE-SA is designed with a maintenance free, Nickel-Cadmium battery providing a minimum emergent duration of 90 minutes. Recharge time is twenty-four (24) hours.



DIMENSIONS (in.)



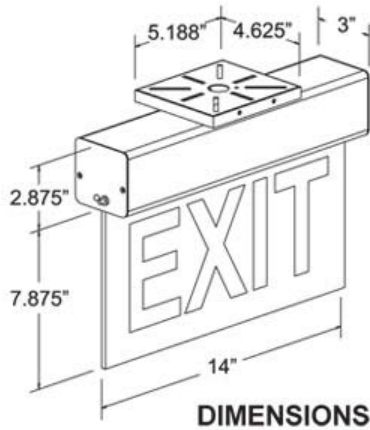
Series	A"	B"	C"
CAE	12.75"	8.5"	2"

WARRANTY

The CAE Series comes with a 5-year factory warranty. Deliberate damage, misuse, improper installation effectively cancel the warranty.



SURFACE MOUNT LED EDGE LIT EXIT SIGN



The Edge Lit Exit Sign is the most attractive and appealing exit sign available for indoor use. The glowing exit panel blends well with all types of interiors. The Surface Mount model easily installs via a mounting plate for secure top, side, or back installation.



GENERAL DESCRIPTION

Ideal for architectural applications, surface mount Edge-Lit LED exit sign offers specification grade aesthetics with in-field installation flexibility.

CONSTRUCTION

High-polished, injection-molded virgin acrylic panel, ultrasonically welded to eliminate visible hardware. Graduated depth of molded 6 inch letters provides uniform light distribution on graphics. Standard housing finish is brushed aluminum. Mirror divider on double face versions. Field applied chevron directional indicators simplifies specification and installation.

LAMP DATA

LED expected life is more than 10 years.

ELECTRONICS

Dual-voltage 120/277 volt 60 Hz input. Emergency unit provided with test switch, status indicator and charger. Long life sealed nickel cadmium battery provides a minimum of 90 minutes of emergency power and is automatically recharged upon return of normal power.

SELF-DIAGNOSTIC (OPTIONAL)

Continuously monitors the critical functions of the equipment, including: battery disconnect, battery failure, charger failure, transformer failure and lamp failure. Self-Testing routine performs a one-minute test every 30 days, a 30-minute test on the 6th month and a 90-minute test annually.

ELECTRICAL SPECIFICATIONS

Self-Powered

Red Unit:

120VAC, 60Hz, 0.148A, 3.2W

277VAC, 60Hz, 0.133A, 3.0W

Green Unit:

120VAC, 60Hz, 0.148A, 3.0W

120VAC, 60Hz, 0.131A, 2.8W

LISTINGS

UL Listed.

Meets or exceeds National Electrical Code and Life Safety Code 101.

WARRANTY

See warranty information at back of catalog for details.

SALES DEPARTMENT

(T) 800-480-0707

sales@emergencylights.net

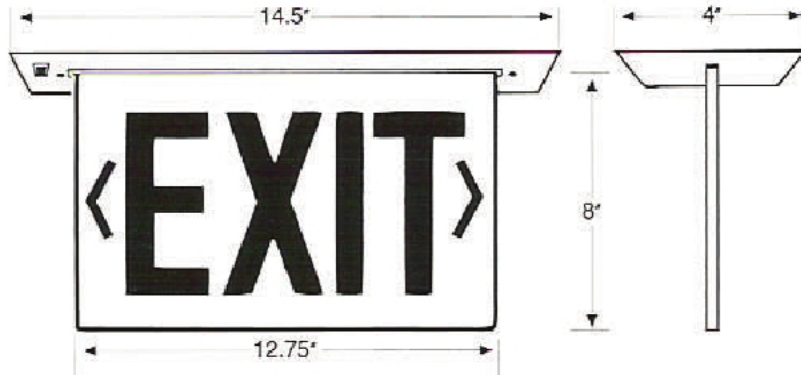
www.emergencylights.net

SERIES	OPERATION	LETTER COLOR	NUMBER OF FACES	HOUSING COLOR	OPTIONS
EDGE	AC = AC Only SP = Battery B/UP	R = Red G = Green	1 = Single Face 2 = Double Face	Blank = Aluminum B = Black W = White	Blank = Standard E = Self-Diagnostic

**RECESSED MOUNT LED
 EDGE LIT EXIT SIGN**



DIMENSIONS, FEATURES & SPECIFICATIONS



GENERAL DESCRIPTION

Ideal for architectural applications, ceiling mount recessed LED exit signs offer specification grade aesthetics with in-field installation flexibility.

CONSTRUCTION

High-polished, injection-molded virgin acrylic panel, ultrasonically welded to eliminate visible hardware. Graduated depth of molded 6 inch letters provides uniform light distribution on graphics. Standard housing finish is brushed aluminum. Mirror divider on double face versions. Field applied chevron directional indicators simplifies specification and installation.

LAMP DATA

LED expected life is more than 10 years.

ELECTRONICS

Dual-voltage input 120/277 V AC operation. Emergency unit provided with test switch, status indicator and charger battery. Long life, sealed nickel cadmium, provides a minimum of 90 minutes of emergency power and is automatically recharged upon return of normal power.

SELF-DIAGNOSTIC (OPTIONAL)

Continuously monitors the critical functions of the equipment, including: battery disconnect, battery failure, charger failure, transformer failure and lamp failure. Self-Testing routine performs a one-minute test every 30 days, a 30-minute test on the 6th month and a 90-minute test annually.

ELECTRICAL SPECIFICATION

Self-Powered
 Red Unit:
 120VAC, 60Hz, 0.148A, 3.2W
 277VAC, 60Hz, 0.133A, 3.0W
 Green Unit:
 120VAC, 60Hz, 0.148A, 3.0W
 277VAC, 60Hz, 0.131A, 2.8W

LISTINGS

UL 924 listed.
 Meets or exceeds National Electrical Code (NEC) and Life Safety Code 101.

WARRANTY

See warranty information at back of catalog for details.

AGENCY APPROVALS

UL Listed. Meets or exceeds the requirements of the National Electrical Code and NFPA 101 Life Safety Code.

SERIES	OPERATION	LETTER COLOR	NUMBER OF FACES	HOUSING COLOR	OPTIONS
R-EDGE	AC = AC Only	R = Red	1 = Single Face	Blank=Aluminum W = White	Blank = Regular
	SP = Battery B/UP	G = Green	2 = Double Face	B = Black	E= Self – Diagnostic

FEATURES

- Recessed and surface mount universal style enclosures
- Attractive aluminum extrusion design
- Standard finishes: black, white and brushed aluminum
- Optional G2 Self-Test/Self-Diagnostic circuitry available
- Red or green high intensity LEDs
- Constant, uniform illumination
- High clarity, optically true acrylic panels
- 6" characters with 3/4" stroke
- Field applicable chevrons available
- 120/277V dual primary 60Hz input
- Short circuit, voltage surge, and brown-out protection
- UL recognized maintenance-free lead acid battery (NiMh battery standard with G2 option)
- Low voltage disconnect eliminates deep discharge
- ETL listed 90 minute emergency run time, 24 hour recharge time
- 25 year warranty

WARRANTY

Any component that fails due to manufacturers defect is guaranteed for 25 years with a separate 5 year pro-rated warranty on the battery. The warranty does not cover physical damage, abuse or acts of God. Manufacturer reserves the right to charge for such repairs if deemed necessary.

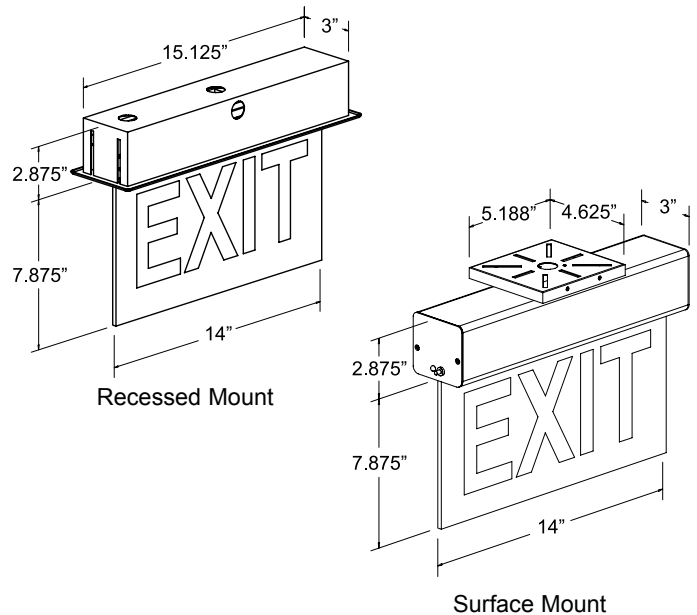
CODE CONFORMANCE

The 900 Series is E.T.L. Listed and meets or exceeds the following: U.L. 924, N.E.C. requirements and N.F.P.A. 101.



The 900 Series exit features an architectural, slim design to fit into any environment. Attractive and functional, the 900 Series is completely self-contained and utilizes reliable, energy efficient LED illumination.

DIMENSIONS





SALES DEPARTMENT
 (T) 800-480-0707
 sales@emergencylights.net
 www.emergencylights.net

ILLUMINATION

Illumination of the 900 series is accomplished utilizing high-intensity, long-life LEDs. Starting at only 4 watts, LEDs provide excellent illumination while maximizing energy efficiency. LEDs are a maintenance-free solution, providing up to 50,000 hours of use without failure.

CONSTRUCTION

The 900 series features either an extruded aluminum surface mount housing, or recessed aluminum housing and trimplate. Both are available in either a powder coated or brushed aluminum finish. Panels are constructed of high quality, optically true acrylic.

INSTALLATION

Installs in minutes with easy-to-read instructions and detailed diagrams. No special hardware or tools necessary. Internally housed components and battery.

WARRANTY

Any component that fails due to manufacturer's defect is guaranteed for 25 years with a 5 year pro-rated warranty on the battery. The warranty does not cover physical damage, abuse or acts of God. Manufacturer reserves the right to charge for such repairs if deemed necessary.

SELF-TESTING/SELF-DIAGNOSTIC OPERATION
 (Option: G2)

The circuit continuously monitors the operating condition of the AC power, battery supply voltage, emergency lamp continuity and charging circuit.

If a failure is detected, visual status will occur immediately via the multi-colored LEDs. LED indicator(s) will illuminate until fault has been corrected.

The G2 also monitors the transfer circuit as well as performing automatic code compliant testing. The self-test will operate the equipment in emergency mode five minutes every 28 days. Also, a 90 minute full-function test is performed every six months.

CODE CONFORMANCE

The 900 Series is E.T.L. Listed and meets or exceeds the following: U.L. 924, N.E.C. requirements and N.F.P.A. 101.

ORDERING INFORMATION

902 - U - WB - RM - BC - WH - G2AA

SERIES	MOUNTING	POWER SOURCE	PANEL COLOR	ARROW CONFIGURATION	HOUSING FINISH	OPTIONS
902 = Single Face 903 = Double Face	R = Recessed WR= Wall Recessed U = Ceiling, End, or Wall (Surface Mount)	LB = AC Only WB = With Battery NC ¹ = Ni-Cad	RC = Red Letters/Clear Panel RW = Red Letters/White Panel RM = Red Letters/Mirror Panel GC = Green Letters/Clear Panel GW = Green Letters/White Panel GM = Green Letters/Mirror Panel	Single Face CL = Chevron Left CR = Chevron Right BC = Both Chevrons ZC = No Chevrons XX = Field Applicable Chevrons Double Face SC = Single Chevron BC = Both Chevrons ZC = No Chevrons XX = Field Applicable Chevrons	WH = White BL = Black BA = Brushed Aluminum	G2 ¹ = Self-Test/Self-Diagnostics G2AA ¹ = G2 w/Audible Alarm DR = Damp Location Rated FL = Flasher BZ = Buzzer FB = Flasher & Buzzer A1 = Fire Alarm Interface w/ Flasher A2 = Fire Alarm Interface w/Flasher & Buzzer 2C11 = 2 Circuit Input 120/120V 2C17 = 2 Circuit Input 277/277V 2C117 = 2 Circuit Input 120/277V SS = Custom Legend ER1-KIT ² = 12" Pendant Kit ER2-KIT ² = 24" Pendant Kit

¹ G2 options come standard with Nickle Metal Hydride batteries, not available with NiCad
² Order as separate line item, surface mount only

SWIVEL SERIES FLEXIBLE EDGE LIT EXIT SIGN



PRODUCT OVERVIEW

The **SWVL** is the latest generation edge-lit EXIT from the Beghelli design team. The **SWVL** features an integrated and unique pivot system that allows the **SWVL** to be installed on the wall, ceiling or sloped surface. Easy to specify, easy to install, the **SWVL** is a universal edge-lit EXIT that is available in AC only, Self-Powered and Dual-Circuit configurations.

INTERNAL SPECIFICATIONS

AC ONLY: Standard configuration with high output, high efficiency red or green LEDs, 120/277VAC input.

TWO CIRCUIT: Two circuit design for direct connection to mains and separate back up source. High output, high efficiency red or green LEDs, 120/277VAC inputs.

SELF-POWERED: Standard configuration with high output, high efficiency red or green LEDs, 120/277VAC input. Nickel cadmium battery provides a minimum of 90 minutes emergency duration. Low voltage battery disconnect

EXTERNAL SPECIFICATIONS

The **SWVL** series is designed with a minimalist inspired aluminum housing that is offered as standard in brushed aluminum or white finishes. The included canopy is constructed from thermoplastic and can be universally mounted and incorporates a pendant connection. The high clarity acrylic panel is available in single and double face configurations. Single face is offered in clear only. Double face is offered in mirror only. Field installable chevrons are standard. Accurate positioning is assured by using the chevron template.

INSTALLATION

The **SWVL** is suitable for surface ceiling, wall and end mounting using the included mounting canopy. Suitable for damp location / indoor installations.

ORDERING INFORMATION

Series	Model	LED	Face No.	Panel Color	Housing	Standard Feature
SWVL	HT (AC only)	LR (red)	1 (single)	C (clear / single face only)	AL (aluminum)	AT (autotest)
	SA (self-powered)	LG (green)	2 (double)	M (mirror / double face only)	W (white)	
	2CK (two circuit)					
				Note(a): clear available single face only		Note(c): AT standard on all SA models
				Note(b): mirror available double face only		

Series	Model	LED	Face No.	Panel Color	Housing	Options
SWVL						



SALES DEPARTMENT
 (T) 800-480-0707
 sales@emergencylights.net
 www.emergencylights.net

MODERN DESIGN

The **SWVL** series is designed around a pivoting system that allows the **SWVL** to be surface mounted at almost any angle from 0 to 90 degrees. This allows the **SWVL** to easily adapt to sloped ceilings or stairwells. The minimalist design blends well with any décor with the focus being on the crisp and evenly illuminated EXIT panel. The aluminum housing is available in a natural brushed aluminum finish or a durable powder coat white finish. A universal canopy is used to mount the **SWVL**. The clear acrylic panel has soft, rounded edges and is offered in clear (single face), mirror (double face) configurations.

ELECTRICAL SPECIFICATIONS

The **SWVL** series integrates high-efficiency, high-output LEDs. Standard input of 120/277VAC. The **SWVL** series consumes less than two (2) watts nominal power.

BATTERY TECHNOLOGY

The **SWVL** series self-powered (SA) version comes standard with an internally installed, maintenance free, nickel cadmium battery pack that will maintain operation of the **SWVL** during a power failure for a period no less than 90 minutes. Complete recharge time of the batteries is within a 24 hour period.

(SA) SELF-POWERED VERSIONS

The **SWVL** series can be ordered in (SA) configuration for operation during a power failure. The battery and charger are completely self-contained within the **SWVL** housing. Dimensions for the (HT) AC only and (SA) Self-powered models are identical. The **SWVL** series utilizes solid state transformer technology that eliminates the possibility of relay failure due to particle build up. The current status of (SA) versions is easily determined via an external monitor LED that indicates AC on. A push to test button allows for instant verification of emergency operation.

(AT) AUTOTEST DIAGNOSTICS

The **SWVL** (SA) configuration comes standard with the Beghelli AUTOTEST diagnostic system. Featuring continuous monitoring of the units critical components and providing instant visual verification of unit status.

AUTOTEST FEATURES:

- monitor battery disconnection, charger failure, LED failure and transformer failure every 5 seconds without discharging the battery.
- Automatically indicates LED, battery and charger status by dual color LED indicator
- Factory preset AUTOTEST does not need to be field adjusted or reset for proper operation

AUTOTEST FUNCTIONS:

- Verifies battery disconnect, charger failure, LED failure and transformer failure every 5 seconds.
- One (1) minute AUTOTEST every month
- Thirty (30) minute AUTOTEST every six (6) months
- Ninety (90) minute AUTOTEST every twelve (12) months

AUTOTEST VISUAL ALERT:

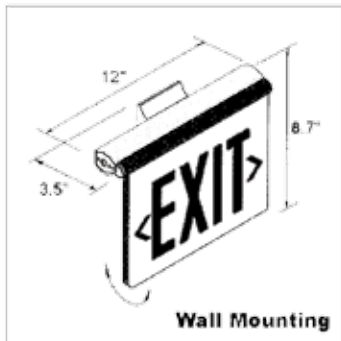
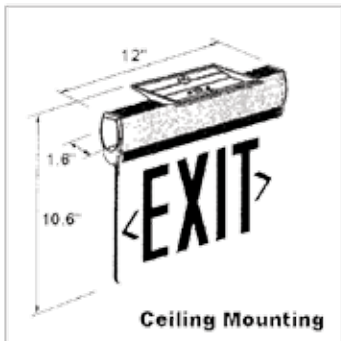
- (1) BLINK red: Battery not connected
- (2) BLINKS red: Battery shorted and/or battery voltage drop
- (3) BLINKS red: Charger failure
- (4) BLINKS red: Transformer fault
- (7) BLINKS red: LED failure

AUTOTEST MANUAL FUNCTIONS:

- Press TEST button 1x (within 2 sec.) = 1 minute test
- Press TEST button 2x (within 2 sec.) = 5 minute test
- Press TEST button 3x (within 2 sec.) = 30 minute test
- Press TEST button 4x (within 2 sec.) = 90 minute test



DIMENSIONS (in.)



WARRANTY

The **SWVL** series comes with a 5-year factory warranty. Deliberate damage, misuse, improper installation effectively cancel the warranty.

ELECTRICAL SPECIFICATIONS

The **WLE** series is configured with high-output LED lamps. LED is standard with 120/277VAC input. All LED versions consume only 1.1W nominal power. Optional emergency illumination is provided by the LED light source at the following wattages:

- 6VDC - 0.5 Watts
- 12VDC - 1.5 Watts
- 24VDC - 3.5 Watts

CHARGER SPECIFICATIONS

The **WLE** series utilizes a solid state transfer technology that eliminates relay failure that can be caused by particle build up on the relay. All of the components used in the circuitry are temperature compensated. Status is easily determined via the LED display. A push button test switch allows maintenance personnel to quickly confirm the operational status of the exit on AC fail.

DOUBLE FACE DESIGN

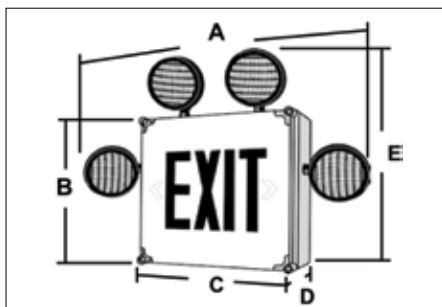
Beghelli USA offers an innovative, compact designed double face version of the **WLE**.

MECHANICAL SPECIFICATIONS

The **WLE** series housing is constructed from durable, corrosion resistant fiberglass. The housing is fully gasketed for damp, wet and NEMA 4X locations with a hot-bonded silicone gasket. Exit face(s) are made from a high clarity, clear polycarbonate. Custom face colors and special wording / graphics are available, please specify. Field removable chevron arrows are standard on each face. Four (4) polycarbonate pressure screws firmly hold the face to the housing. Optional Par36 heads are constructed of high-impact, black thermoplastic that has been sealed against moisture infiltration.



DIMENSIONS (in.)



Series	A"	B"	C"	D"	E"
WLE	24"	12"	12"	5"	18"

EXTREME CLIMATE DESIGN

The **WLE** series has been designed to perform in applications where the climate would punish any standard sign. The entire internal cavity of the sign is protected from moisture invasion by an extremely resilient gasket. The gasketing is "hot-bonded" to the lens during the manufacturing process. This procedure eliminates any chance of the gasketing to become dry and pull away from the lens. The gasketing always holds its original form and has "memory retention" so that it effectively and consistently protects the **WLE** series from moisture. The **WLE** can also be equipped with an optional thermostatically controlled heater for cold environments. The fiberglass housing is highly corrosion resistant and will not rust or rot. The molded fiberglass finish cannot be scraped or scratched away exposing raw metals like standard steel signs.

BATTERY TECHNOLOGY

The **WLE-SA-6-27**, 6-36 and 6-54 are designed with an internal, maintenance free, valve regulated sealed lead-acid battery providing emergency lighting duration as per specified unit. The **WLE-SA** is designed with an internal maintenance free, sealed Nickel-Cadmium battery providing a minimum emergency duration of 90 minutes. An optional 120 minute Nickel-Cadmium battery is available. Recharge time of the battery is twenty-four (24) hours. The maximum battery operating temperature is 50° C.

MODEL RATING GUIDE

Model	Voltage	Wattage			
		90min	120min	180min	240min
WLE-SA-6-27	6	27	18	12	NA
WLE-SA-6-36	6	36	27	18	12
WLE-SA-6-54	6	54	36	27	18

NOTE: self-powered for up to 120 minutes w/ optional battery for external loads.

WARRANTY

The **WLE** Series comes with a 5-year factory warranty. Lamps are not covered under the warranty. Deliberate damage, misuse, improper installation effectively cancel the warranty.



PRODUCT OVERVIEW

The **VANDAL** series heavy duty exit sign is designed to stand up to high abuse areas such as correctional facilities, schools, apartment complexes, and public areas that may be subject to vandalism. The heavy gauge cast aluminum housing and high abuse polycarbonate faceplate offers extreme protection and superior performance with a contemporary look. Tamper resistant screws insure the integrity of the unit. Perforated chevrons allow for on-site selection. The **VANDAL** comes standard with a high reflective white powder coat inside the housing to maximize the LED distribution. The **VANDAL** is also available with high output LED's in AC only and self-powered operations

AC ONLY: standard 120/277/347 VAC input.

SELF-POWERED: standard self powered versions use sealed Nickel-Cadmium batteries to provide a minimum of 90 minutes of emergency duration. Optional 120 minutes duration battery is available. Solid state charger, auto-test, and transfer are standard on self powered units.

EXTERNAL SPECIFICATIONS

The **VANDAL** is wet location /IP 66 rated. The **VANDAL** utilizes a long-life neoprene gasket. An internal heater option with thermostat is available for low temperature installations. (See selection guide for ordering information and available options).

INTERNAL SPECIFICATIONS

The **VANDAL** series is constructed from .420" thick, heavy duty cast aluminum. The face plates are protected by high abuse clear polycarbonate, which is recessed into the housing. Tamper resistant screws are standard. The **VANDAL** series comes standard black, although color options are available upon request. Single, double or universal face plate configuration must be specified. The self powered version comes standard with an external LED status indicator and test switch.

INSTALLATION

The **VANDAL** series exit is supplied with a canopy and is suitable for surface ceiling, wall and end mount applications. Suitable for indoor, outdoor, damp or wet applications.

ORDERING INFORMATION

Series	Model	LED	Face No.	Mounting	Standard	Options
VEX	HT (AC only)	LR (red)	1 (single)	W (wall - no canopy)	AT (auto-test)	WW (white/white)
	SA (self-powered)	LG (green)	2 (double)	C (ceiling - w/canopy)		BB (black/black)
U (universal)			E (end - w/canopy)		PK (pendant kit - specify length)	
			U (universal)			FL (flashing alarm)
						BZ (audible alarm)
						SW (special wording - specify)
						IH (internal - heater)
						IR (infrared remote test switch)
						120 SA (120 min emergency)

Series	Model	LED	Face No.	Mounting	Standard	Options
VEX						

VANDAL RESISTANT DESIGN

The ultra heavy duty design and appearance of the **VANDAL** series exit warns potential vandals that this is no regular sign. The stencil is protected by a 1/8" thick, impact resistant polycarbonate shield that is recessed into the housing and fastened with 4 tamper resistant screws. The **VANDAL** offers a contemporary look and durability like no other.

MECHANICAL SPECIFICATIONS

The **VANDAL** series is constructed of extra heavy duty cast aluminum with a 1/8" thick polycarbonate protective shield. Tamper resistant screws are standard. Field adjustable chevrons are standard. The **VANDAL** is standard in an attractive matte black finish. Other colors are available, including custom color matching to meet the customer's needs. The polycarbonate face shield is recessed into the housing making the Fortezza series one of the most rigid, yet attractive high abuse signs on the market.

AUTOTEST DIAGNOSTIC

The self-powered **VANDAL** comes standard with Beghelli Autotest diagnostic system. Featuring continuous monitoring of the units main components (battery, charger, transformer, lamps & LED's) and providing instant visual verification of the status.

ELECTRICAL SPECIFICATIONS

The **VANDAL** series is configured with high output LED lamps. LED is standard with 120/277/347VDC input. All LED version consume < 5 watts nominal power

SELF-POWERED VERSIONS

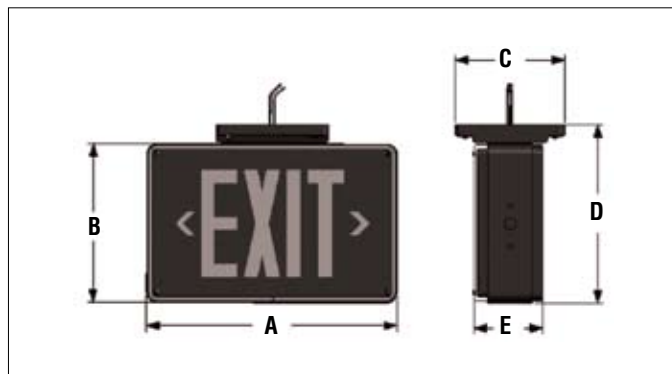
The **VANDAL-SA** self powered series is designed to operate on battery power in the event of a regular/mains power failure. Both battery and charger are completely contained within the standard enclosure. The **VANDAL-SA** self-powered series utilize a solid state transformer technology that eliminates the possibility of relay failure due to particle build up on the relay. Status is easily determined via an LED that indicates AC-ON.

BATTERY TECHNOLOGY

The **VANDAL-SA** series is designed with a maintenance free, sealed Nickel-Cadmium battery providing a minimum emergency duration of 90 minutes. An optional 120 minutes Nickel-Cadmium battery is available. Recharge time of the battery is twenty-four (24) hours. The maximum battery operating temperature is +45°F and the minimum is +0°F without internal heater/thermostat option. The minimum operating temperature with internal heater/thermostat is -20°F/°C



DIMENSIONS (in.)



Series	A"	B"	C"	D"	E"
VEX	14"	9"	6.2"	10"	4"

WARRANTY

The **FORTEZZA** Series comes with a 5-year factory warranty.. Deliberate damage, misuse, improper installation effectively cancel the warranty.

HEAVY DUTY LED STEEL EXIT SIGN



PRODUCT OVERVIEW

The HDX series of vandal resistant exits are designed to stand up to abuse in applications such as schools, public areas, institutions and apartment complexes where vandalism may potentially occur. The 14 gauge steel and polycarbonate faceplate offers extreme protection and superior performance. Tamper resistant screws insure the integrity of the unit. The heavy gauge steel construction of the HDX housing requires that directional chevron arrows must be specified when ordering. The HDX series is available configured with high-output LED's in AC only and self-powered operation versions.

INTERNAL SPECIFICATIONS

AC ONLY: standard 120/277VAC input

SELF-POWERED: standard self-powered versions use sealed nickel-cadmium batteries to provide a minimum 90 minutes of emergency duration. Optional 120 minute duration battery is available. Solid state charger and transfer.

EXTERNAL SPECIFICATIONS

The HDX series is constructed from heavy duty steel. Exit face(s) are 14 gauge steel backed with impact resistant polycarbonate. Tamper resistant screws are standard. The HDX series comes standard with a white baked powder coat finish. Available in custom epoxy-based powder coat finishes (please specify). Single, double or universal face versions must be specified. The self-powered version comes standard with an external LED status indicator and test switch.

INSTALLATION

The HDX series exit is suitable for surface ceiling, wall and end mounting. Suitable for indoor installations.

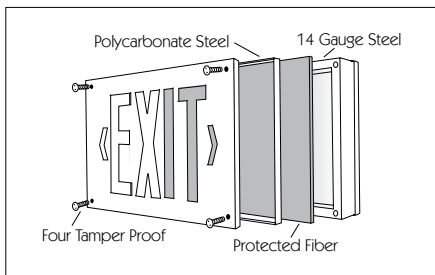
ORDERING INFORMATION

Series	Model	LED	Face No.	Mounting	Options
HDX	HT (AC only)	LR (red)	1 (single)	W (wall - no canopy)	AT (auto-test)
	SA (self-powered)	LG (green)	2 (double)	C (ceiling - factory installed)	FL (visual alarm - specify voltage)
				E (end - factory installed)	CC (custom color - specify)
					BZ (audible alarm)
					SW (special wording - specify)
					PK12 (12" pendant kit)
					2CK (dual-circuit)
					120 SA (120 min emergency)
					FAI (fire alarm interface)

Series	Model	LED	Face No.	Mounting	Options
HDX					

VANDAL RESISTANT DESIGN

The ultra heavy duty design and appearance of the **HDX** series exit warns potential vandals that this is no regular sign. The face plate is constructed of durable 14 gauge steel that wraps around the frame for added protection. The exit is further protected by 1/8" thick, impact resistant polycarbonate that is sandwiched between the steel face plate and the stencil fiber. The form fitting face plate is attached to the frame with four (4) tamper resistant stainless steel screws. The all steel exit frame has been folded along the face and back plate edges in order to provide superior strength and durability. The steel back plate is also attached with four (4) stainless steel screws. Unlike incandescent light sources, the LED technology used in the **HDX** series does not contain any delicate filaments or films that can lead to failure due to impact related damage. For ceiling and end mount applications the **HDX** series is supplied with an extra heavy duty canopy (factory installed) that provides superior mounting strength.

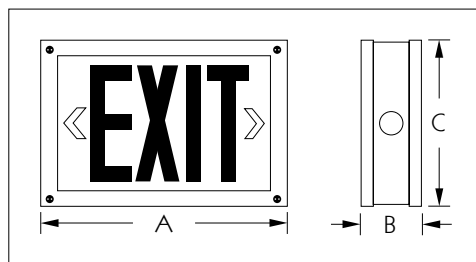


ELECTRICAL SPECIFICATIONS

The **HDX** series is configured with high-output LED lamps. LED is standard with 120/277VAC input. All LED versions consume only 1.1W nominal power. Optional emergency illumination is provided by the LED light source at the following wattages:

- 6VDC - 0.5 Watts
- 12VDC - 1.5 Watts
- 24VDC - 3.5 Watts

DIMENSIONS (in.)



Series	A"	B"	C"
HDX	12.25"	3"	8.5"

MECHANICAL SPECIFICATIONS

The **HDX** series is constructed of extra heavy duty steel with a 14 gauge steel face plate. Tamper resistant screws are standard. Exit fiber(s) are covered with impact resistant polycarbonate. Due to the extreme gauge of steel, directional chevron arrows must be specified when ordering. The **EVR** series is supplied standard with an attractive and durable white, baked powder coat finish. Other colors are available, including custom color matching, please specify. The advanced design of the **HDX** leaves it with no extraneous holes or slots that could be utilized by vandals for gaining entry. The face plate securely holds the shield and fiber in place by wrapping around the exit frame, increasing the rigidity of the entire unit.

SELF-POWERED VERSIONS

The **HDX-SA** self-powered series is designed to operate on battery power in the event of a regular / mains power failure. Both the battery and charger are completely contained within the standard enclosure. There are no external components and no alterations made to the external dimensions of the standard sign. The **HDX-SA** self-powered series utilize a solid state transformer technology that eliminates the possibility of relay failure due to particle build up on the relay. Status is easily determined via an LED that indicates AC-ON. A push button test switch allows maintenance personnel to quickly confirm the operational status of the exit on AC fail.

BATTERY TECHNOLOGY

The **HDX-SA** series is designed with a maintenance free, sealed Nickel-Cadmium battery providing a minimum emergency duration of 90 minutes. An optional 120 minute Nickel-Cadmium battery is available. Recharge time of the battery is twenty-four (24) hours. The maximum battery operating temperature is 50° C.



WARRANTY

The **HDX** Series comes with a 5-year factory warranty. Deliberate damage, misuse, improper installation effectively cancel the warranty.



SELF LUMINOUS EXIT SIGN

Completely Non-Electrical Solution!

A MODERN, NOTICEABLE LOOK

The Lifeline SL Series provides a contemporary design in a rugged housing with hidden, tamper resistant wall mounting hardware. The SL Series requires no electricity, no maintenance and is recyclable at the end of its useful life of up to 20 years. The SL Series is an energy efficient, sustainable solution for "green buildings."



Sign shown in a lighted room



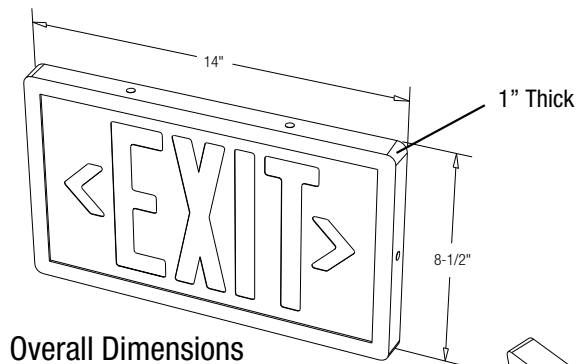
Sign shown in a darkened room



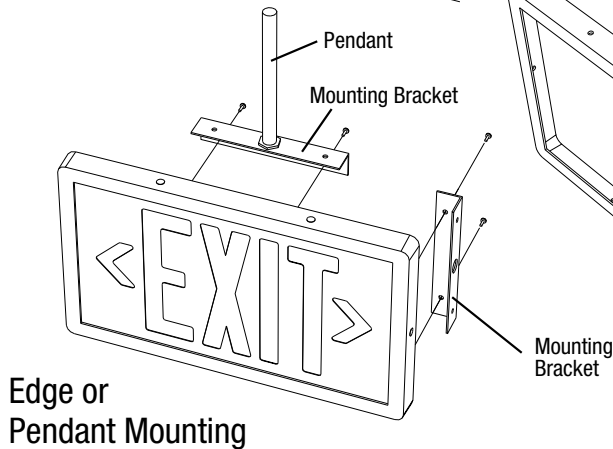
Sign shown in a lighted room with GL option



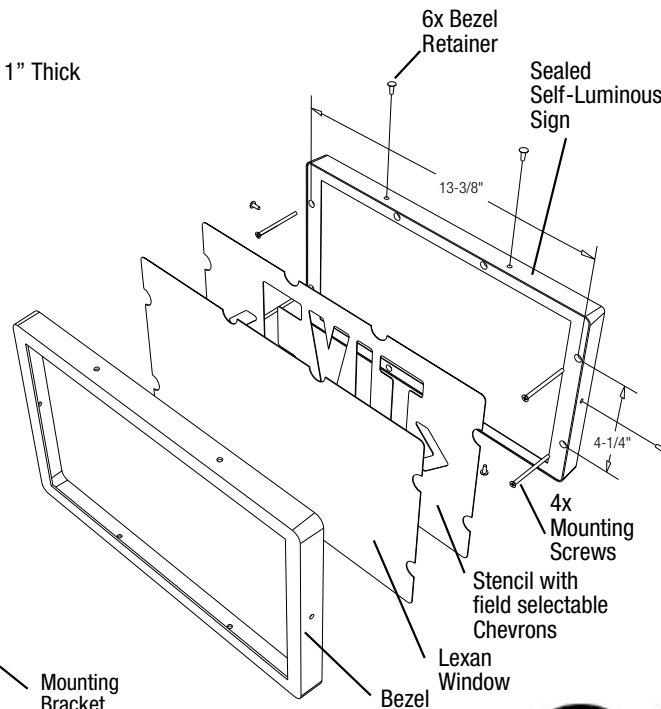
Sign shown with VS option



Overall Dimensions



Edge or Pendant Mounting



Wall Surface Mounting



FEATURES

- Non-electrical internally illuminated by sealed tritium gas light source
- 100% reliable: Requires no external light source, electrical power, wiring or battery and is maintenance free
- Suitable for damp or wet locations
- Green light output for maximum visibility in emergency conditions
- 125 foot visibility rating
- Available in service life ratings of 10, 15, or 20 years
- As there is no electrical ignition source, the Lifeline is suitable for use in hazardous atmospheres, damp and wet locations. Meets NEC Article 500, Class 1, 11, and 111 conditions
- Sustainable design and fully recyclable at the end of it's useful life
- Rugged thermoplastic ABS injection molded housing with tamper resistant finishing bezel
- Sealed internal construction prevents unauthorized access to light tubes
- Field selectable chevrons indicators
- Heavy duty universal mounting bracket supplied with mounting hardware
- Suitable for wall, ceiling, end mount or optional pendant mounting
- Special Green Letter Option (GL) provides a green illuminated letter apparent in both dark and ambient light conditions. Available in 10 and 15 year rated signs with red, black, or white background
- Tested, approved and listed by Underwriters laboratories to UL 924 and British Standard 5499 PT2
- Limited warranty for the rated life of the sign



ORDERING GUIDE

Model	Operation	No. of Faces	Face Color	Body Color	Options
SL Lifeline Thermoplastic	10 10 Years 15 15 Years 20 20 Years	1 Single Face 2 Double Face	R Red G Green B Black W* White <i>*White Face, only for use with option GL</i>	W White B Black	VS Polycarbonate Vandal Shield with Torx Head Screws GL Green Letters – Available for 10 or 15 year signs R, B or W face color PA 12" Swivel Pendant PB 24" Swivel Pendant PC 36" Swivel Pendant PD 48" Swivel Pendant



PHOTOLUMINESCENT EXIT SIGN

75 Foot UL Listed Viewing Distance

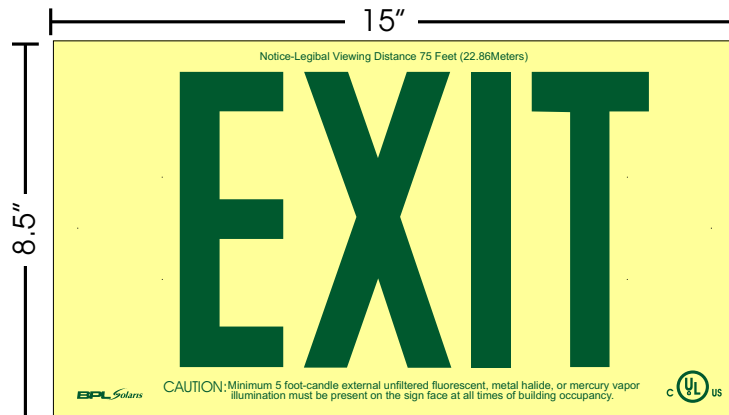


California State Fire Marshal Approved

- Dimensions: 8.5" Height, 15" Width, .070 mil thickness
- Letter Size: 7/8" Stroke with 6.5" Height
- Letter Color: Green or Red
- Background: Photoluminescent
- Directional: Two directional chevrons included for field application.
- Viewing Distance: 75 Feet
- Life Expectancy: 25+ Years
- Applications: High and Low Level, indoor use only.
- Installation: Minimum 5 foot-candle (54 lux) external unfiltered fluorescent, metal halide, or mercury vapor illumination must be present on the sign face at all times of building occupancy.
- Sign Substrate: Photoluminescent self-extinguishing PVC.
- Features: Non-electrical, non-radioactive, explosion proof, UV-stable, durable, minimal installation and maintenance expense.
- Compliance: UL 924 Listed, Energy Star Listed, Meets NFPA 101 Life Safety Code, NFPA 5000, JCAHO & OSHA, ICC - IBC, ICBO - UBC, BOCA - NBC, SBCCI - SBC, 1/UFC, CA Bldg. Code, ASTM 2072 and CSFM Listed
- Warranty: 15-year limited warranty to the original customer covering any defects in material or workmanship.

Directional Indicators:

Two self-adhesive directional indicators are supplied with each sign. Small dots are also provided to the left of the letter E and to the right of the letter T for easy alignment. If your EXIT sign is to be located other than directly over an exit, apply a directional indicator to the left of the E, pointing left, or to the right of the T, pointing right, or both, as appropriate.



Order Numbers

Item Number

EXIT-PL-G
EXIT-PL-R

Product Description

Exit Sign, Green Lettering
Exit Sign, Red Lettering



SALES DEPARTMENT
 (T) 800-480-0707
 sales@emergencylights.net
 www.emergencylights.net

Letter Size: 7/8" Stroke with 6.5" Height
Letter Color: Green or Red
Background: Photoluminescent
Directional: Two directional chevrons included for field application.
Viewing Distance: 75 Feet
Life Expectancy: 25+ Years
Applications: High and Low Level, indoor use only.
Installation: Minimum 5 foot-candle (54 lux) external unfiltered fluorescent, metal halide or mercury vapor illumination must be present on the sign face at all times of building occupancy.

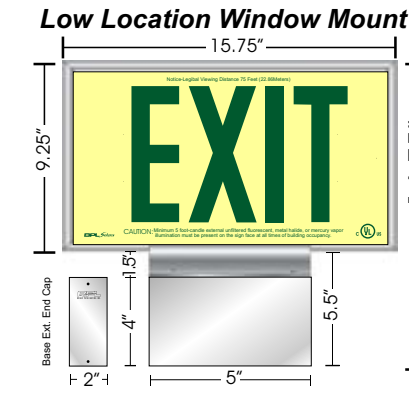
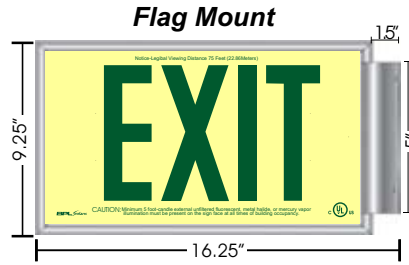
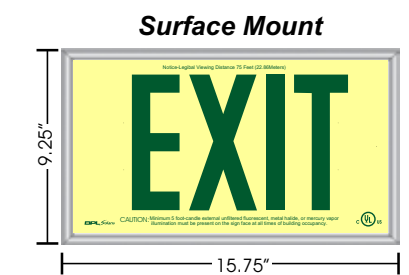
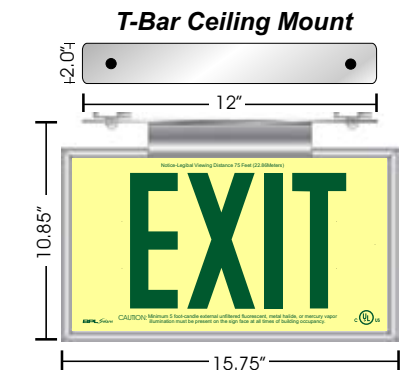
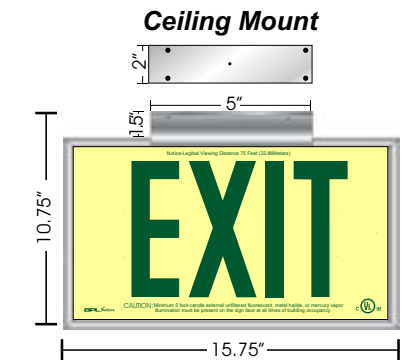
Sign Substrate: Photoluminescent self-extinguishing PVC.
Frame Substrate: Aluminum
Features: Non-electrical, non-radioactive, explosion proof, UV-stable, durable, minimal installation and maintenance expense

Compliance: UL 924 Listed, Energy Star Listed, Meets NFPA 101 Life Safety Code, NFPA 5000, JCAHO & OSHA, ICC - IBC, ICBO - UBC, BOCA - NBC, SBCCI - SBC, 1/UFC, CA Bldg. Code, ASTM 2072 and CSFM Listed

Warranty: 15-year limited warranty to the original customer covering any defects in material or workmanship.

Directional Indicators: ➔

Two self-adhesive directional indicators are supplied with each sign. Small dots are also provided to the left of the letter E and to the right of the letter T for easy alignment. If your EXIT sign is to be located directly over an exit, apply a directional indicator to the left of the E, pointing left, or to the right of the T, pointing right, or both, as appropriate.



Catalog Model #	Mounting	Frame Color	Number of Faces	Letter Color
EXIT-PL	C - Ceiling F - Flag S - Surface T - T-Bar U - Universal W - Window	A - Anodized Aluminum B - Anodized Bronze BL - Anodized Black G - Anodized Gold W - Powder Coat White	S - Single* D - Double	G - Green R - Red

Frame Colors

Aluminum Black Bronze Gold White

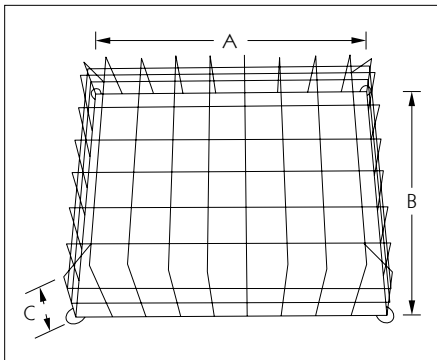
*Back plates available for an additional charge.

WIRE GUARDS FOR EMERGENCY LIGHTS EXIT SIGNS

WIREGUARDS

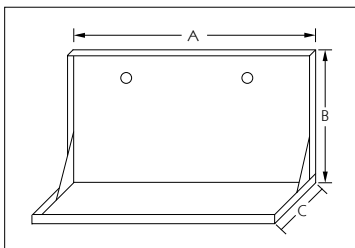
Our optional wireguards provide enhanced protection for emergency lighting equipment from physical damage. All are made from 18 gauge cold rolled steel and finished with a durable white (standard) baked powder coat finish for corrosion resistance. Color options are available upon request. Ideal for use in gymnasiums, outdoor installations, loading docks, warehouses, schools and apartment complexes.

ORDERING INFORMATION



Model #	Application	Dimensions		
		A	B	C
BPG-1	combination exit & battery unit	17"	17"	17"
BGP-2	wall mount exit	14"	10"	4.5"
BPG-3	ceiling mount exits	14.5"	6"	10.5"
BPG-4	SRP1 and SPR2 remotes	6"	8"	6"
BPG-5	small cabinet battery units	15"	14"	6"
BPG-6	medium cabinet battery units	20"	17"	9"
BPG-7	large cabinet battery units	28.5"	24.75"	10"
BPG-8	SRP1 and LRP1 remotes	8"	6"	8"
BPG-9	SPR2 and LRP2 remotes	12"	9"	9"
BPG-10	ceiling mounted combination exit battery unit	13.5"	12"	16.5"
BPG-11	special wording custom size signs	29"	8"	10"
BPG-12	illumina 4' vapor light	52"	9.25"	4.5"

MOUNTING SHELVES



Model #	Application	Dimensions			
		A	B	C	
BMS-1	very small units	12W - 36 W	12"	10.5"	3.5"
BMS-2	small units:	54W - 72W	17"	10.5"	4.5"
BMS-4	medium units:	100W-200W	15"	13"	8.5"
BMS-5	large units:	300W-400W	19.5"	13"	8.5"



SALES DEPARTMENT
 (T) 800-480-0707
 sales@emergencylights.net
 www.emergencylights.net

CUSTOM WORDING FOR EXIT SIGNS

CUSTOM WORDING

The following wording and/or symbols are available for use in place of standard exit legends. Please consult factory for availability as well as other legends or symbols not shown. Most standard universal symbols are available, but due to space limitations are not able to be shown. For all custom wording or symbols, please specify letter color Red (R), Green (G) or White (W) on background color Red (R), Green (G) or White (W). All LED signs are available with Red (R) or Green (G) letters on White (W) background. For the BLACK OUT feature specify (BO) after the special wording (SW) option.

AUDIO HEARING
AREA OF REFUGE
AREA OF RESUE ASSISTANCE + Handicap Symbol
AREA FOR EVACUATION ASSISTANCE
BEAM ON
CAUTION RADIATION
CLOSED
CONTACT ROOM IN USE
DANGER
DANGER - DO NOT ENTER
DARK ROOM IN USE
DO NOT ENTER
DO NOT ENTER PIT WHEN LIT
DOWN ESCALATOR
EMERGENCY EXIT
EMERGENCY EXIT ONLY
EMERGENCY USE STAIRS
ENTRANCE
EXIT
EXIT - Arabic
EXIT - with arrow down
EXIT - with arrow up
FIRE DO NOT ENTER
FIRST AID
IN SESSION
IN USE
LASER IN USE
LASER RADIATION
LOBBY
MAGNET ON
MEN
NARCOTICS LOCKER OPEN
NO ENTRY
NO EXIT
NO SMOKING

NOT AN EXIT
OCCUPIED
ON AIR
ON THE AIR
OPEN
PLATING ROOM IN USE
PLEASE CLOSE DOOR
PROCEDURE IN PROGRESS
QUIET PLEASE
READIATION IN USE
RADITIAON ON
READY
RECORDING
RECORDING IN PROGRESS
RECORDING - NO ENTRY
REST ROOMS
ROOM IN SERVICE
SALIDA
SALIDA / EXIT
SIMULATOR IN USE
SORTIE
SORTIE / EXIT
STAIRS
STANDBY
STANDBY POWER
TELEPHON
TO EXIT
UP ESCALTOR
UV IN USE
UV RADIATION
WARNING - DO NOT ENTER - X-RAY IN USE
WARNING - DO NOT ENTER - EXAM IN PROGRESS
WOMEN
X-RAY IN USE
X-RAY IN USE - DO NOT ENTER
X-RAY ON