



Wet Location Emergency Lights

2011 Catalog

Sales Department

(T) 800-480-0707

sales@emergencylights.net

www.emergencylights.net





Heavy Duty Wet Location Emergency Light

FEATURES

- UV stabilized, impact & corrosion resistant ABS plastic enclosure, grey finish
- One-piece molded, weather-proof gasket
- Comes standard with (2) 6V 7.2W lamps
- Hinged front access panel for simple installation
- Universal mounting pattern
- Maintenance-free sealed lead acid battery
- 120/277 VAC operation
- Regulated charging unit
- Brown-out, reverse polarity and short circuit protected
- Low voltage battery disconnect

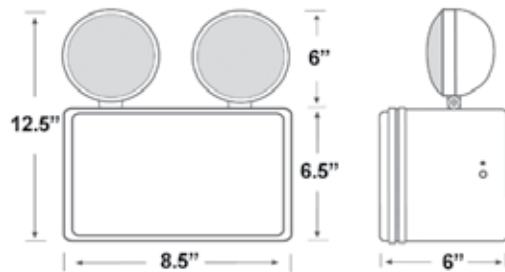


The WPEmergency Light is suitable for Wet Location areas. It is ideal for locations where water, non-hazardous dust, and corrosive atmospheres are present.

WARRANTY

Any component that fails due to manufacturer's defect is guaranteed for 3 years with a separate 5 year pro-rated warranty on the battery. The warranty does not cover physical damage, abuse or acts of God. Manufacturer reserves the right to charge for such repairs if deemed necessary.

DIMENSIONS



ORDERING INFORMATION

WPEL	-	18	-	B1D	-	2
SERIES		BATTERY WATTAGE		LAMP HEADS		# OF HEADS
WPEL-6 = 6 Volt		6 Volt Lead Calcium 18 = 18 Watt 25 = 25 Watt		B1D = 7.2 Watt		2 = 2 Heads





WPEL Wet Location Emergency Light NEMA 4X Rated

FEATURES

- Wet location listed, resistant to corrosive atmospheres, non-hazardous dust environments
- Fully gasketed enclosure
- Fully adjustable 5 watt MR-16 halogen lamp heads
- Automatic brownout protection
- Contractor friendly, snap-together design
- AC lockout feature reduces installation time
- Wall or ceiling mounted
- UV stable, fiberglass components
- UL 94-5VA flame rating
- 120/277V dual primary 60Hz input
- Low voltage disconnect
- 90 minute emergency run time
- Sealed momentary test switch



The WPEL-MR is ideal for wet locations, resistant to corrosive atmospheres, non-hazardous dust environments. The adjustable halogen lamps are enclosed in a fully gasketed, corrosive resistant polycarbonate enclosure designed to withstand the harshest environments.

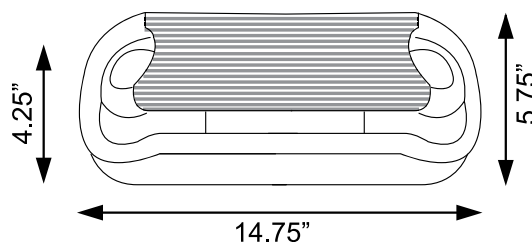
CONFORMANCE TO CODES & STANDARDS

The WPEL-MR Series is U.L. Listed and meets or exceeds the following: U.L. 924, N.E.C. requirements and N.F.P.A. 101.

WARRANTY

Any component that fails due to manufacturer's defect is guaranteed for 1 year with a separate 5 year pro-rated warranty on the battery. The warranty does not cover physical damage, abuse or acts of God. Manufacturer reserves the right to charge for such repairs if deemed necessary.

DIMENSIONS



ORDERING INFORMATION

WPEL-MR

SERIES
WPEL- : Wet Location



PRODUCT OVERVIEW

The **Designer** is an architecturally designed emergency luminaire that performs. Italian design, high performance optics, durable polycarbonate construction, fully enclosed lamp heads, easy installation and a competitive price make the Ecco-Luna a favorite among contractors, distributors and specifiers. The vandal and impact resistant polycarbonate housing completely encloses the reflector and fully adjustable 8W lamp assemblies. Damp location option included.

EXTERNAL SPECIFICATIONS

The **Designer** series housing is constructed from high quality corrosion, flame and vandal resistant polycarbonate. The highly efficient lens completely encloses and protects the units lamp assemblies. Vandal resistant latch clips ensure the integrity of the **Designer** emergency lighting unit.

INTERNAL SPECIFICATIONS

The **Designer** series is configured with universal 120/277 VAC input with solid state charging circuitry. Standard features include low voltage disconnect, AC lockout and brownout protection.

INSTALLATION

The **Designer** emergency luminaire is suitable for surface wall or ceiling mounting. Suitable for indoor / damp installation. 120/277VAC

ORDERING INFORMATION

Series	Lamps	Operations	Input Voltage	Options
DEL	28 (2x8W halogen)	SE (emergency only)	UNV (120/277V)	DL (damp locations) WL (wet locations) 10L (10w halogen) 12L (12w halogen)

ECCO LUNA BUILDER

Series	Lamps	Operation	Input Voltage	Options

The **Designer** series emergency luminaire is configured for standard operation 120/277VAC dual voltage input with current limit protection. Current charge regulator is standard. Minimum 90 minutes emergency duration. 24 hour charge time.

BATTERY & CIRCUIT TECHNOLOGY

The **Designer** series emergency unit uses an two 6 volt 5AH sealed lead acid batteries that provides a minimum 90 minutes emergency duration. The automatic recharge circuit is regulated by an electronic volt sensor and the battery is protected by a low-voltage cut-off circuit. 120/277VAC dual voltage input. The maximum operating temperature is 50° C.

VANDAL RESISTANT DESIGN

The **Designer** lens reflector cover has been designed to fully enclose the lamp assemblies. This protects the lamp heads from tampering and unwanted repositioning.

REFLECTOR

The **Designer** reflector is made of injection molded, self-extinguishing, UV stabilized polycarbonate. The reflector supports components including the lamp assemblies and circuit.

HOUSING

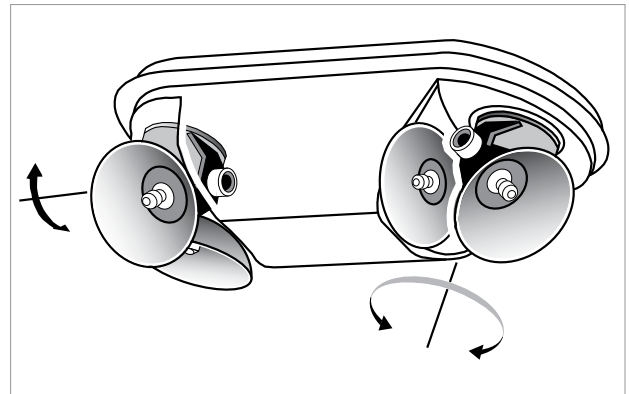
The **Designer** series emergency luminaire is available with a standard damp location label. The **Designer** with the damp option is an ideal solution for exterior covered breezeways, warehouses, covered corridors and high humidity regions.

HIGH-OUTPUT DESIGN

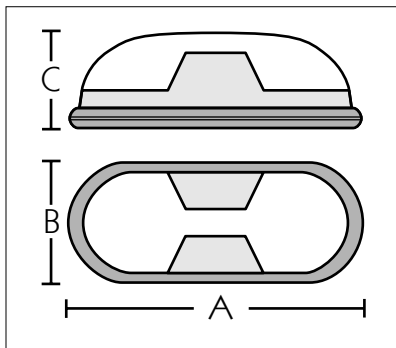
The **Designer** incorporates an efficient and high-output lens. The diffusion lens has been designed to effectively transmit the greatest amount of luminaires with the least transmittal loss.

DIFFUSER

The **Designer** diffuser is UV stabilized to reduce the yellowing index and provide superior light output.



DIMENSIONS (in.)



Wattage	A"	B"	C"
2x8W	17"	6 1/2"	4"

WARRANTY

The **Designer** Series comes with a 5-year factory warranty. Lamps are not covered under the warranty. Deliberate damage, misuse, improper installation effectively cancel the warranty.



Designer Emergency Light with Auto-Test



PRODUCT OVERVIEW

The **DEL-AT** has been configured to operate higher output lamps and / or carry a remote load. The Italian designed housing complements any interior, while the polycarbonate construction ensures durability. With the ability to house an additional battery, the **DEL-AT** is ideal for running a small remote load. The optional patented Path Marking System safely and effectively designates the path of egress in a smoke filled environment.

DIFFUSER

The **DEL-AT** diffuser is UV stabilized to reduce the yellowing index and provide superior light output. The co-injection process increases the strength and durability of the **DEL-AT** diffuser.

INSTALLATION

Surface ceiling or wall mounting. Suitable for wet location installations on normally inflammable surfaces.

REFLECTOR

The **DEL-AT** reflector is made of injection molded, self-extinguishing, UV stabilized polycarbonate. Vacuum finishing results in a highly reflective surface. The reflector supports components including the lamp holder and circuit.

EXTERNAL SPECIFICATIONS

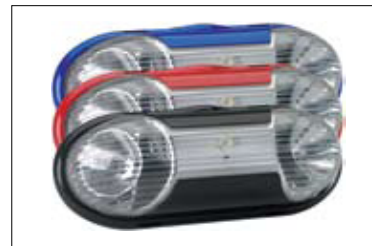
The **DEL-AT** series housing is constructed from high quality corrosion, flame and vandal resistant polycarbonate. The highly efficient lens completely encloses and protects the units lamp assemblies. Liquid silicon gasketing is "hot-bonded" to the housing during the manufacturing process, ensuring its durability and effectiveness. Vandal resistant latch clips ensure the integrity of the **DEL-AT** emergency lighting unit.

INTERNAL SPECIFICATIONS

The **DEL-AT** series uses dedicated 120V or 277V AC. The automatic recharge circuit is regulated by an electronic voltage sensor and the battery is protected by a low voltage cut-off circuit.

CUSTOM COLORS

The **DEL-AT** series can be ordered in optional (CC) custom color finishes.



ORDERING INFORMATION

Series	Lamps	Operation	Input Voltage	Auto-Test	Options
DEL-AT	25 (2x5w halogen)	SE (emergency)	US (120V)	*AT (auto-test)	L
	28 (2x8w halogen)		US2 (277V)		CC (custom color)
	210 (2x10w halogen)				
	212 (2x12w halogen)				

BATTERY & CIRCUIT TECHNOLOGY



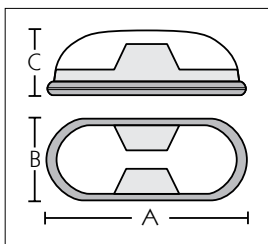
The **DEL-AT** series specified with the optional “path marking system” offers an entirely new level of egress safety. The patented “path marking system” clearly marks the exit and the path leading to the exit in smoke filled environments. Laser technology is instantly recognizable as a path marker and is easily followed to safety. The laser can be installed on either side of the **DEL-AT** and directed towards the exit. The “path marking system” is ideal for use in environments that make use of steam, dry ice, special effects, pyrotechnics and chemicals. It is also ideal in hospitals, nursing homes, schools, universities, shopping centers, hotels, resorts and theme parks.

AUTO-TEST DIANOSITICS

The **DEL-AT** series is supplied standard with a fully configured auto-test feature that continually monitors the functional operation of the unit. The lamps, battery and circuitry are continually tested to ensure proper operation. A visual display alerts of any malfunctioning component.

- Flashing Red: Emergency Inhibited
- Red: Battery or Circuit Malfunction
- Yellow: Lamp Malfunctioning
- Flashing Yellow: Test Inhibited
- Green: Normal Operation

DIMENSIONS (in.)



Wattage	A"	B"	C"
2x5W	17"	6 1/2"	4"

Auto-test is comprised of an 8-bit microprocessor capable of integrating a large number of functions. Auto-test continually monitors the functional operation of the lamps, battery and circuitry. Periodic emergency duration tests are internally simulated to ensure proper operation during an actual power failure. Check all functions of the lamps over a one (1) minute period. The emergency duration test, which is run every six (6) months, is used to check all functions of the lamps and battery over a period of time equal to the emergency duration required under the relevant Code or Standard.

Results of the tests are displayed by the multi-color LED located on the front panel of the **DEL-AT** where it can be quickly and easily read by maintenance personnel.

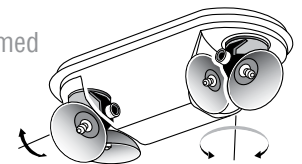
IP65 / WET LOCATIONS

The **DEL-AT** carries an IP65 / Wet location rating. Emergency units are especially vulnerable to fire sprinkler activation since emergency lighting units are often installed right next to sprinkler heads. The IP65 / Wet location rating ensures protection not just from ambient moisture but also from jets of water like those given off by broken or activated sprinkler heads.

HIGH OUTPUT DESIGN

The **DEL-AT** incorporates an efficient and high-output lens and reflector. Vacuum metalization technology is used in the manufacturing of the reflector, resulting in a high-efficiency, mirror-like reflector. The diffusion lens has been designed to effectively transmit the greatest amount of luminaires with the least amount of transmittal loss.

Lamp assemblies can be rotated, aimed and locked on two (2) axis for the ultimate in adjustability, ease of use and accurate beam positioning.



BATTERY & CIRCUIT TECHNOLOGY

The **DEL-AT** series emergency unit uses two(2) internal 6 volt 5Ah sealed lead acid batteries that provides a minimum 90 minutes emergency duration and remote capability. The automatic recharge circuit is regulated by an electronic volt sensor and the battery is protected by a low-voltage cut-off circuit. An input voltage of 120v or 277v must be selected when ordering from the factory.

WARRANTY

The **DEL-AT** Series comes with a 5-year factory warranty. Lamps are not covered under the warranty. Deliberate damage, misuse, improper installation effectively cancel the warranty.



PRODUCT OVERVIEW

The **WLFEL** offers Italian design, reliability and increased fixture to fixture performance. The use of fluorescent technology allows for an improved spread of light, fewer units to install and maintain and creates a safer environment during a power failure. The lens is clear by design, allowing the greatest amount of light to be dispersed. Designed for wall or ceiling installations.

REFLECTOR

The **WLFEL** reflector is made of injection molded, self-extinguishing, UV stabilized polycarbonate. Vacuum metalization results in a highly reflective surface. The reflector supports components including the lamp holder and reflective hood.

DIFFUSER

The **WLFEL** diffuser is UV stabilized to reduce the yellowing index and provide superior light output. The co-injection process increases the strength and durability of the **WLFEL** diffuser.

ORDERING INFORMATION

Series	Lamps	Operation	Input Voltage	Auto-Test	Options
WLFEL	24 (1x24w CF fluorescent)	HT (AC only) SE (emergency only)	UNV (120/277V)	*AT (auto-test)	NM (Ni-Mh batteries) RTD (recess trimplate drywall) RTT (recess trimplate t-bar)

EXTERNAL SPECIFICATIONS

The **WLFEL** series housing is constructed from high quality corrosion, flame and vandal resistant polycarbonate. Vandal resistant latch clips ensure the integrity of the **WLFEL**. Mounting locations for ceiling or wall installations are clearly marked on the housing. The **WLFEL** comes finished in a standard grey RAL 7035 color.

INTERNAL SPECIFICATIONS

The **WLFEL** series is configured with universal 120/277VAC input. The automatic recharge circuit is regulated by an electronic volt sensor and the standard Ni-Cd battery is protected by a low voltage cut-off circuit.

INSTALLATION

Surface or recess ceiling and wall mounting. Suitable for wet location installations.

BATTERY TECHNOLOGY

The **WLFEL** series is offered standard with a 5 cell nickel cadmium battery pack that provides a minimum of 90 minutes emergency duration. An optional Ni-Mh is available.

VANDAL RESISTANT DESIGN

The **WLFEL** series diffuser has been designed to fully enclose and protect the lamp assembly. Vandal resistant flush housing latch clips ensure the integrity of the **WLFEL** and discourage fixture tampering.



SALES DEPARTMENT

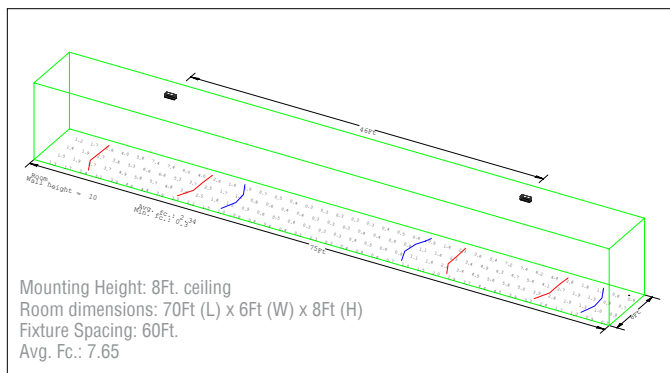
(T) 800-480-0707
 sales@emergencylights.net
 www.emergencylights.net

NICKEL METAL HYDRIDE BATTERIES

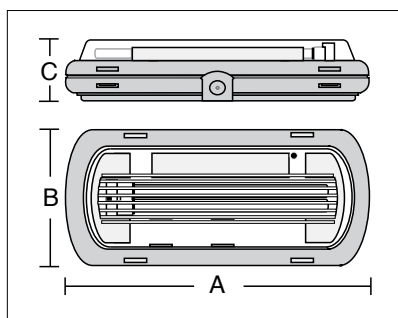
An optional power source available for the WLFEL series are nickel metal hydride (Ni-Mh) batteries. The primary feature of Ni-Mh batteries is their long life. Ni-Mh batteries are capable of 500 to 1000 charge and discharge cycles and the expected life of the battery is higher than the minimum required by the current technical standards (EN60598-2-22). Ni-Mh batteries are not subject to the “memory effect,” a typical drawback of Ni-Cd batteries, that could result in a reduction in the nominal operation. A further feature of the Ni-Mh batteries is their very high efficiency, more than double that of lead and Ni-Cd batteries. Nickel Metal Hydride batteries have a low environmental impact and are disposable.

HIGH OUTPUT DESIGN

The WLFEL unit incorporates an efficient high output lens and reflector. Vacuum metalization technology is used in the manufacturing of the reflector, resulting in a high transmission mirror-like finish. The diffuser has been designed to effectively transmit the greatest amount of light with the least transmittal loss. A removable reflecting hood allows for directional control of the luminaires, increasing the light output at the floor level; resulting in greater fixture to fixture spacing. This in turn reduces installation, operational and maintenance costs.



DIMENSIONS (in.)



Wattage	A"	B"	C"
1x27W	17"	6 1/2"	3 1/2"

AUTO-TEST DIAGNOSTICS

The WLFEL is supplied standard with a fully configured auto-test feature that continually monitors the functional operation of the unit. The lamp, battery and circuitry are continually tested to ensure proper operation. A visual display alerts of any malfunctioning component.

- Flashing Red: Emergency Inhibited
- Red: Battery or Circuit Malfunction
- Yellow: Lamp Malfunctioning
- Flashing Yellow: Test Inhibited
- Green: Normal Operation

Useful auto-test is comprised of an 8-bit microprocessor capable of integrating a large number of functions. Auto-test continually monitors the functional operation of the lamps, battery and circuitry. Periodic emergency duration tests are internally simulated to ensure proper operation during an actual power failure. The functionality test, which is internally simulated weekly, is used to check all functions of the lamps over a one (1) minute period. The emergency duration test, which is run every six (6) months, is used to check all functions of the lamps and battery over a period of time equal to the emergency duration required under the relevant Code or Standard. Results of the tests are displayed by the multi-color LED located on the front panel of the WLFEL where it can be quickly and easily read by maintenance personnel.

IP65 / WET LOCATION GASKETING

The WLFEL carries an IP65 / Wet location rating. Emergency units are especially vulnerable to fire sprinkler activation since emergency lighting units are often installed right next to sprinkler heads. The IP65 / Wet location rating ensures protection not just from ambient moisture but also from jets of water like those given off by broken or activated sprinkler heads

The WLFEL unit incorporates a 24 watt compact fluorescent lamp with 1350 lumens during DC operation. The Tempesta operates at 75% during emergency operations. This in turn, translates into energy efficiency, increased fixture spacing and lower installation costs..

WARRANTY

The WLFEL Series comes with a 5-year factory warranty. Lamps are not covered under the warranty. Deliberate damage, misuse, improper installation effectively cancel the warranty.



EXTERNAL SPECIFICATIONS

The LEDWL housing is constructed from die-cast aluminum and finished in a durable powder coat. The polycarbonate lenses are UV stabilized and incorporate mirrored optics for maximum distribution and efficiency.

Installation of the LEDWL is achieved via surface mount junction box or a top feed conduit. The back of the LEDWL features knock-outs for a clean surface mount installation or a 1/2" NPT threaded conduit opening is provided at the top of the housing and is sealed with a flush closure cap.

ORDERING INFORMATION

Series	Light Source	Operation	Housing	Voltage	Options
LEDWL	LED	AC (AC only)	DB (Dark Bronze)	120/277V	*CL(Cold locatrimon)
		EM (Emergency)	WH (White)		
		ACEM (AC & Emergency)	BK (Black)		
			AL (Silver)		

*excludes AC ONLY

Series	Light Source	Operation	Housing	Voltage	Options
--------	--------------	-----------	---------	---------	---------

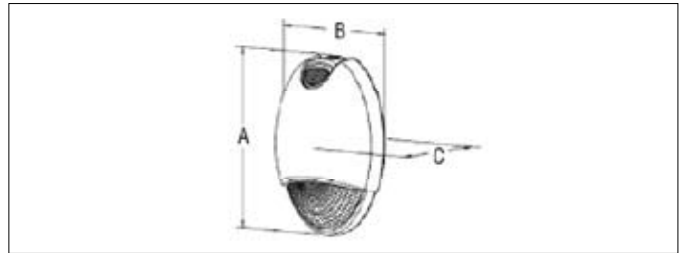
Housing colors



PRODUCT OVERVIEW

LEDWL is a decorative, die-cast aluminum, high performance 10W LED luminaire. Available in AC only, Emergency only or AC & Emergency; the LEDWL is suitable for indoor or outdoor lighting and life safety applications. The LEDWL design creates a contemporary alternative to traditional emergency lighting. Available in four housing colors, the LEDWL will fit almost any application. Ideal for hotels, restaurants, offices, schools, retail and commercial buildings.

DIMENSIONS



Series	A	B	C
LEDWL	266mm 10.47"	166mm 6.54"	96mm 3.78"

INSTALLATION

The LEDWL is suitable for surface mount installation only, utilizing top conduit feed or junction box installation.

WARRANTY

The LEDWL emergency unit comes with a 3-year factory warranty. Lamps are not covered under the warranty. Deliberate damage, misuse, improper installation effectively cancel the warranty.



INTERNAL SPECIFICATIONS

The AC only LEDWL utilizes photocell technology or a wall switch for general lighting applications. The Mezzo is rated for wet locations and operates in the temperature range of -20°C to 50°C (-4°F to 122°F).

The Emergency only LEDWL is a normally off fixture. When AC power fails it will automatically provide emergency lighting. AC input required for the unit charging circuit to maintain the battery at full capacity. The emergency only version comes standard with the Autotest function. The LEDWL is rated for wet locations and operates in the temperature range of 0°C to 50°C (122°F). The Cold Location option features an internal heater designed to allow the LEDWL to operate in temperatures of -20°C to 50°C (-4°F to 122°F).

The AC and Emergency configuration of the LEDWL allows the unit to operate under normal AC power and provide emergency back-up. The unit is switched on/off utilizing a photocell for maximum energy efficiency or a traditional wall switch. When AC power fails the unit will automatically provide emergency lighting. The AC and Emergency version comes standard with the Autotest function. The LEDWL is rated for wet locations and operates in the temperature range 0°C to 50°C (122°F). The Cold Location option features an internal heater designed to allow the LEDWL to operate in temperatures of -20°C to 50°C (-4°F to 122°F).

COLD LOCATION

The cold location option utilizes a battery heater pad which allows operation from -20°C to 50°C (-4°F to 122°F) for the Emergency only or the combined AC and Emergency versions.

PHOTOCELL

Under normal AC power, the LEDWL is switched on and off via an integrated photocell. Ambient light is automatically detected and the fixture illumination is adjusted accordingly. Operating with a photocell allows the LEDWL to be energy efficient by providing light only when needed.

GENERAL LIGHTING

Should the LEDWL photocell feature not be required, it can be deactivated. This allows the LEDWL to be used for general lighting applications that simply require an on/off function. This is standard in both AC only and AC and Emergency configurations.

AUTOTEST

As soon as AC power is supplied to the LEDWL the unit will automatically initiate a self-diagnostic test. The LEDWL will verify battery disconnection, charger failure and transfer failure every 5 seconds. Every month, the unit will perform a one-minute battery discharge test. Every six months, the unit will perform a 30 minute battery discharge test. Once a year the unit will perform a 90 minute battery discharge test. A dual color red/green LED communicates the status of the unit.

BATTERY TECHNOLOGY

The LEDWL emergency Only and combined AC and Emergency units use an internal nickel-cadmium battery that provides a minimum 90 minutes emergency duration. The battery is protected from deep discharge by a low-voltage battery disconnect.

ELECTRICAL SPECIFICATIONS

Available in 120/277V. The Mezzo is cETL and wet location

