

T-BAR CEILING RECESSED EMERGENCY LIGHT



PRODUCT OVERVIEW

The **RTEL** series of indoor architectural emergency lighting units are specifically designed for installation into T-bar type ceiling grid systems. The “above ceiling” installation provides for a clean and architecturally pleasing appearance. The **RTEL** series utilizes a pulse switching charger that offers superior performance and energy efficiency. Par36 style emergency heads are standard.

INTERNAL SPECIFICATIONS

The **RTEL** series is configured with universal 120/277 VAC input with solid state charging circuitry. Standard features include low voltage disconnect, AC lockout and brownout protection.

EXTERNAL SPECIFICATIONS

The **RTEL** series is constructed with a 20 gauge steel cabinet. Magnum terminal connectors allow for larger gauge wires to be connected for remote loads. White powder coat finish is standard (other colors optional). Emergency lighting heads are molded from high impact thermoplastic in a matching color; LR Par36 style heads are standard, SR Par18 style heads are optional. Secure side brackets mount directly onto the T-bar; chain mounting holes are easily accessible. Conduit knockouts are stamped into the sides of each unit. External test switch and monitor LED are standard.

INSTALLATIONS

The **RTEL** emergency luminaire is suitable for installation on T-Bar type grid ceiling system. Suitable for indoor installations. 120/277VAC.

LAMP SELECTION

6V tungsten:	standard: 9W, (H) halogen: 8W, 10W, 12W
6V sealed beam:	(SB) tungsten: 9W, 12W (SBH) halogen: 12W
12V tungsten:	standard: 9W (H) halogen: 8W, 12W
12V sealed beam:	(SB) tungsten: 12W (SBH) halogen: 8W

NOTE: for additional lamps, please see page 142

ORDERING INFORMATION

Series	Operation	Capacity	Heads	Lamps	Options
RTEL	6 (volt DC)	18 (6V)	1SR (single Par18)	See Lamp Guide above	AT (auto-test)
	12 (volt DC)	36 (6V, 12V)	2SR (double par18)		NC (nickel cadmium battery)
		54 (6V, 12V)	1LR (single par36)		TD (time delay - specify volt)
		100 (6V, 12V)	2LR (double Par36)		CC (custom color - specify)
		125 (6v, 12v)	0 (no heads)		VM (volt meter)

Series	Operation	Capacity	Heads	Lamps	Options

MOUNTING SPECIFICATIONS

The RTEL is designed to be installed into T-bar type grid ceiling systems. This type of mounting provides a clean and architecturally conscious installation since the cabinet and all wiring connections can be hidden above the ceiling. Once installed, all that remains visible is the attractive front plate and unit lamp heads. The RTEL has a T-bar mounting bracket located on each side of the unit that aligns the unit onto the T-bar grid. Various chain holes can also be accessed to chain mount the unit to secure points above the ceiling line.

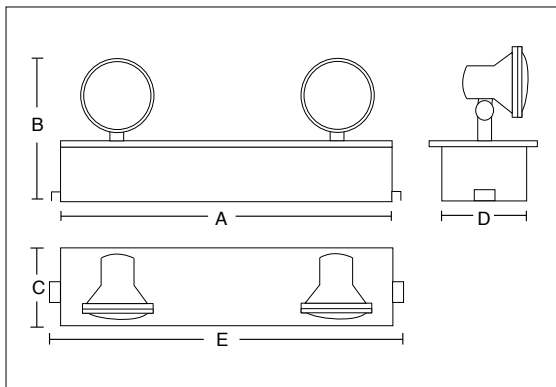
MECHANICAL SPECIFICATIONS

The RTEL is constructed with a solid and durable 20 gauge steel housing. Stamped conduit knockouts are provided on the sides of all RTEL units. Remote lamp loads are connected to the emergency power supply with sturdy magnum terminal connectors. These connectors allow for a large gauge of wire to be used, increasing the flexibility of installation. The RTEL is supplied standard in a durable white powder coat, baked finish. Other colors are available, including color matching, please specify.

CHARGER SPECIFICATIONS

The RTEL series utilizes a pulse switching charger that is up to 70% more efficient than older constant voltage chargers. The charger is a fully automatic current limited charger with solid state line-latched low voltage disconnect protection. All components used in the circuitry are temperature compensated. The charger also has brownout and short circuit protection. Charger status is easily determined via a dual diagnostic LED display which indicates AC/ON and High Charge. An external push button test switch allows maintenance personnel to quickly determine the operational status of the unit and lamp load.

DIMENSIONS (in.)



Wattage	A"	B"	C	D	E
27W-100W	24"	4"	5"	3.25"	25.75"

BATTERY TECHNOLOGY

The RTEL series is designed with a maintenance free, sealed valve regulated lead acid battery that provides a minimum emergency duration of 90 minutes (for the listed rating). Recharge time of the battery is twenty-four (24) hours. The maximum working temperature is 50° C.

MODEL RATING GUIDE

Model	Voltage	Wattage			
		90min	120min	180min	240min
RTEL-6-27	6	27	20	14	10
RTEL-6-36	6	36	24	18	12
RTEL-6-54	6	54	40	34	20
RTEL-12-36	12	36	24	18	12
RTEL-12-54	12	54	40	34	20
RTEL-12-100	12	100	75	50	40

LAMP HEAD FEATURES

The RTEL series is typically supplied with two (2) LR Par36 style 9w heads. SR Par18 heads are also available. Both head styles are constructed of high impact thermoplastic in a color matching the finish of the cabinet (white is standard). Both feature a unique twist locking collar that securely holds the lens and facilitates quick and easy re-lamping.

BEGHELLI AUTO-TEST

The RTEL auto-test feature automatically monitors the functional operation of the unit. Auto-test monitors the operation of the lamps, battery and circuitry and displays any alerts. Periodic emergency tests, up to ninety (90) minutes duration are simulated to ensure proper operation during an actual power failure. Operating status is visually indicated by multi-function LED indication.



WARRANTY

The RTEL Series comes with a 5-year factory warranty. Lamps are not covered under the warranty. Deliberate damage, misuse, improper installation effectively cancel the warranty.